

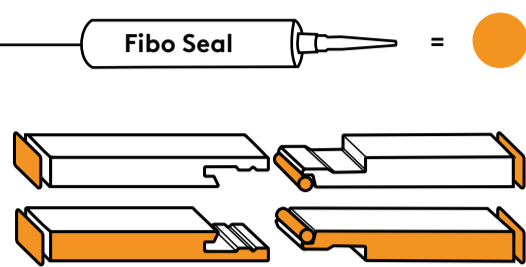
Installation North America only



For full installation videos of screwing or gluing the panels scan QR code or visit fibosystemusa.com

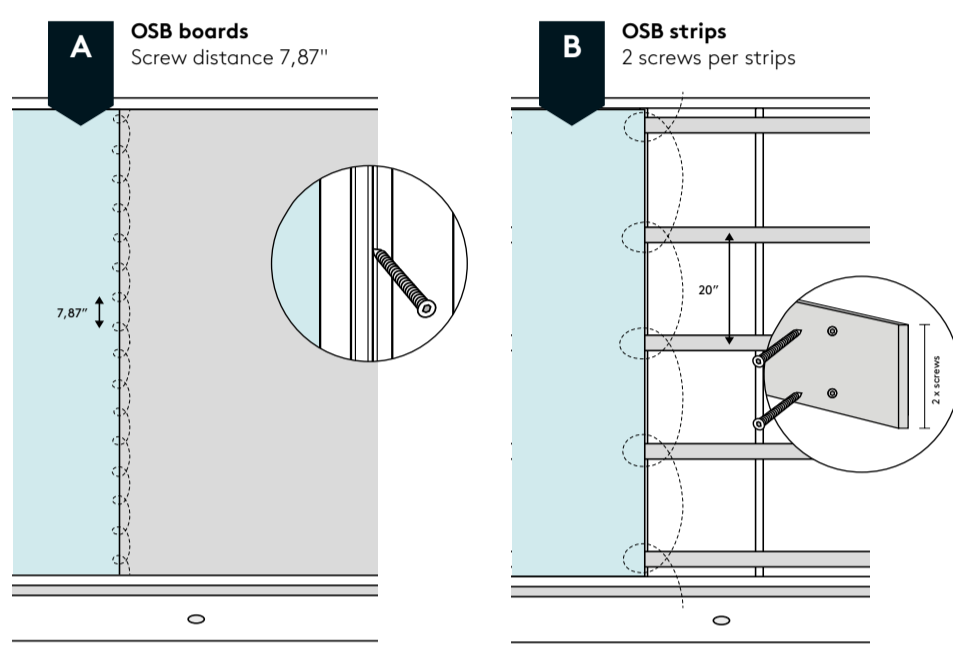
HOW TO SEAL FIBO WALL PANELS

For watertight system, apply Fibo Seal as shown beneath. All cutting surfaces must be sealed, also when drilling holes for pipe penetration. Incorrect installation will void your warranty. Use Fibo Clean and Fibo Wipes to remove excessive sealant. Film from cleaning accessories shall be removed immediately from the panels.



1 CHOOSE PREFERRED BACKWALL

Make sure the backwall is level and the corners are straight 90°. For uneven walls we recommend using OSB Strips and if necessary extra shims to even out.

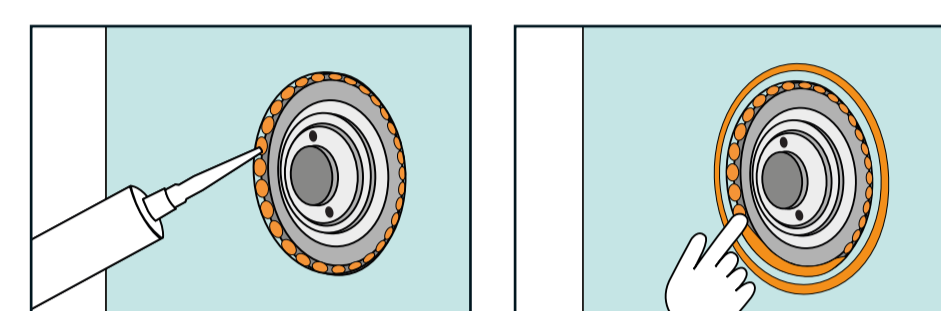


WARNING: This product can expose you to chemicals including formaldehyde and acetaldehyde, which is known to the State of California to cause cancer. For more information, go to www.P65Warnings.ca.gov
WARNING: Fumes Hazard: The fumes from the Fibo Clean used by the installer can be harmful if used in an unventilated room. Always work in a well-ventilated area. To keep the area well-ventilated, open windows and use exhaust fans. If adequate ventilation is not achievable or practical, use respiratory protective equipment.

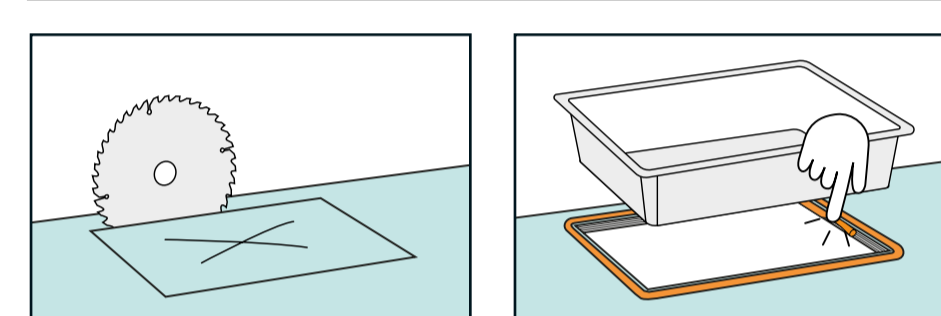


2 NICHE AND FAUCETS

Faucet



Niche



Wall panel Veggpanel

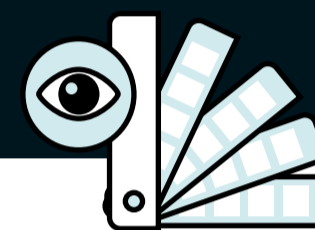
READ BEFORE OPENING PACKAGE!



Storage | Lagring
Keep panels stored flat in package until installation.
Lagre panelene liggende i emballasje frem til montering.

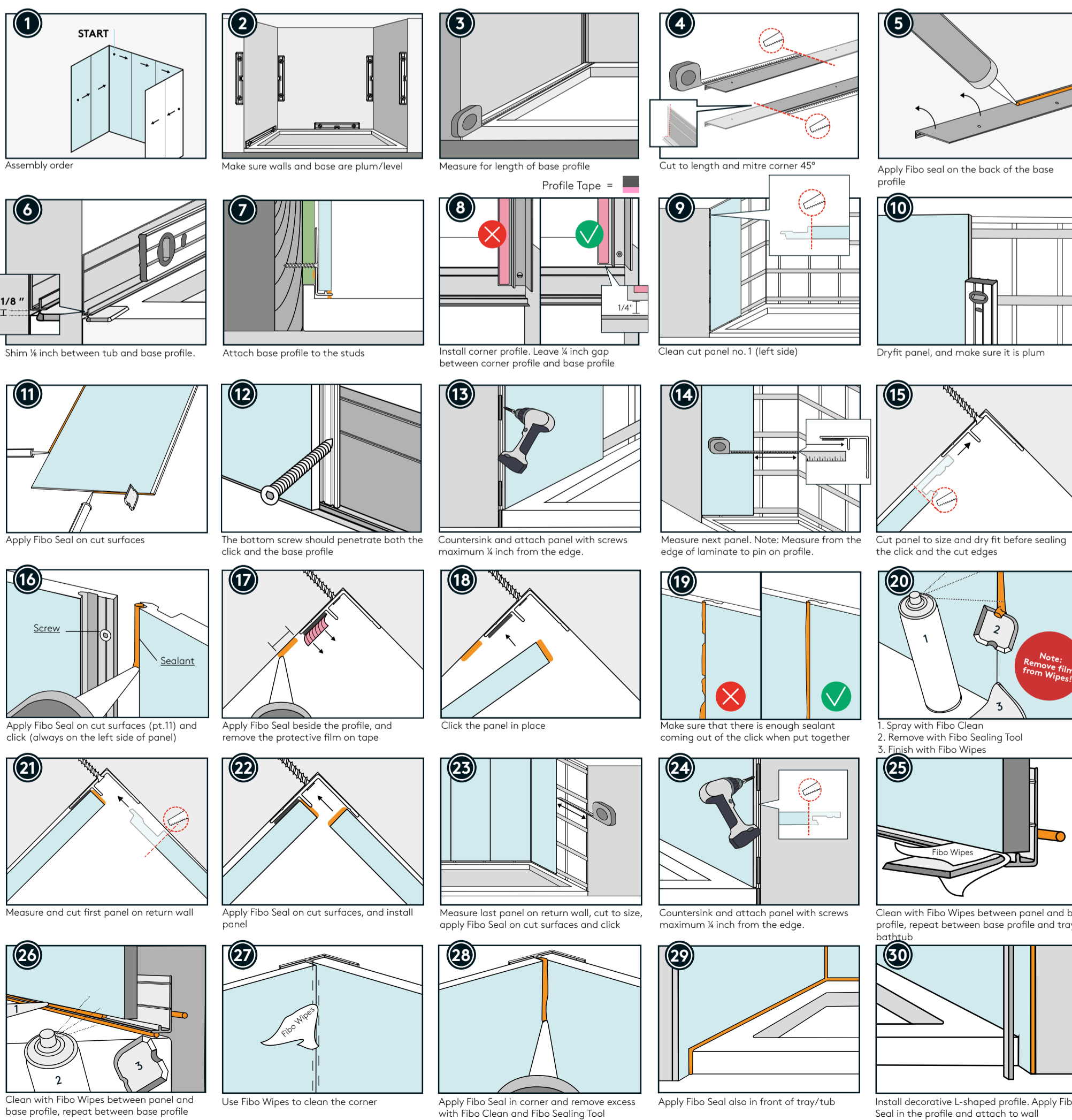


72 hours | 72 timer
Store panels in package in room conditions for at least 72 hour acclimation (longer if they have been kept in a cold area).
Akklimatiser emballerte paneler i romforhold i minst 72 timer (mer hvis de har vært på kaldt lager).



Visual control | Visuell kontroll
Colourmatch and check for flaws before installation.
Kontroller farge og sjekk for andre feil før montering.

3 ALCOVE - STANDARD WALLPANEL



The smart way to transform your wall

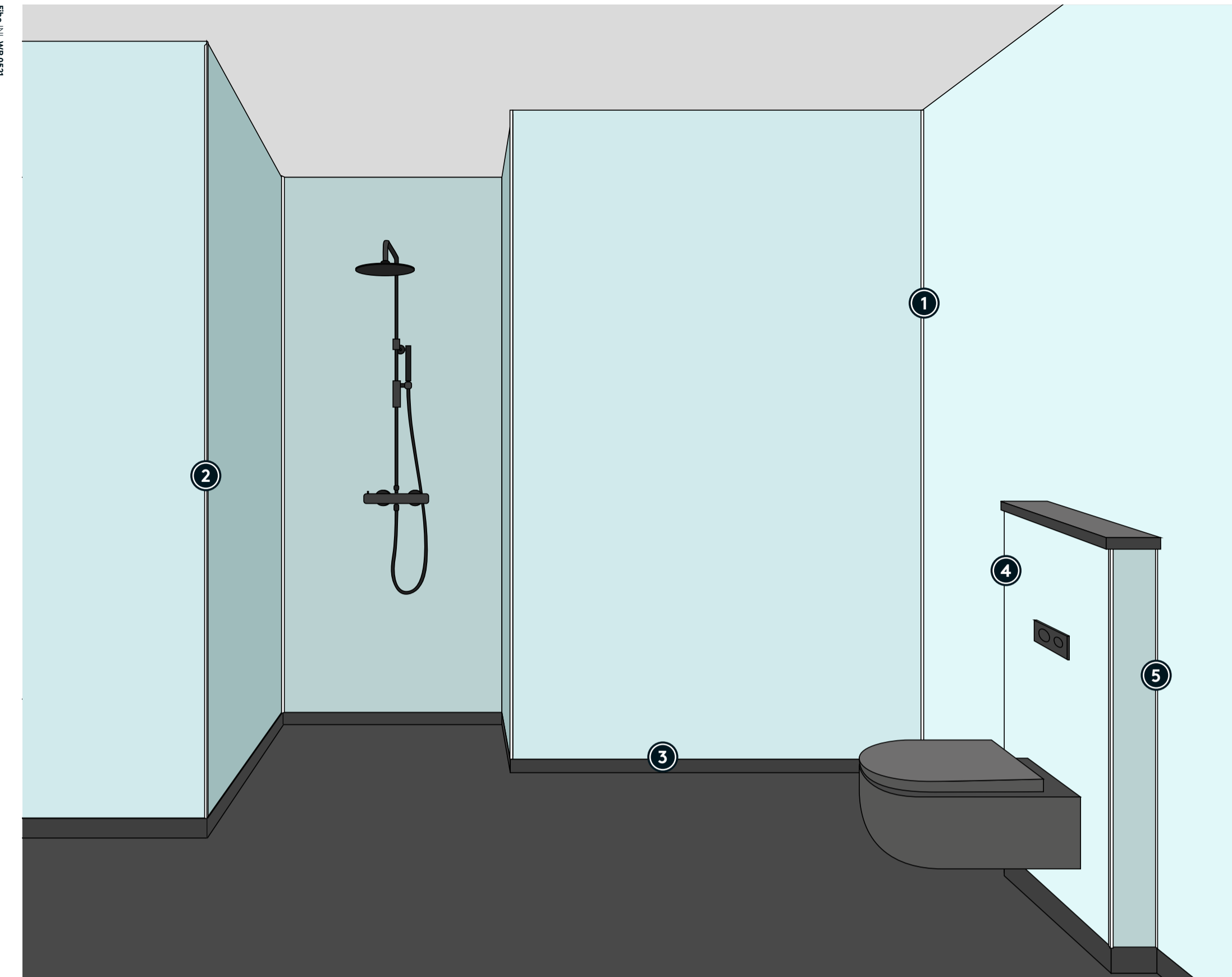
To ensure that your walls are durable enough to last decades, Fibo wall panels are made from a seven layer marine plywood core layered between a backing laminate and a decorative high pressure laminate surface that is easy to clean and maintain. Fibo Aqualock makes the installation easy and provide a consistent result.

For å sikre holdbarhet på dine vegger i flere tiår, er Fibo veggpanel produsert med 7-lags bjørkefinér kjerne mellom balanselaminat i bakkant og et dekorativt høytrykkslaminat i front og som er enkelt å rengjøre og vedlikeholde. Fibo Aqualock gir enkel montering og et varig resultat.



Inspiration and installation videos at fibosystem.com / E-mail: info@fibosystem.com
Inspirasjon og monteringsfilmer på fibo.no

Fibo 18 2020



Internal Corner Profiles



2-part Internal Corner profile
2 deler innvendig Hjørneprofil

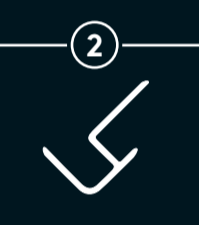


Hidden Internal Corner profile
Skjult hjørneprofil



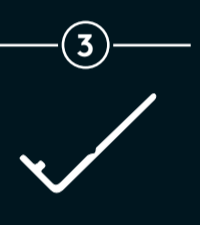
Standard Internal Corner profile II
Standard innvendig Hjørneprofil II

External Corner



External Corner profile II
Utvendig hjørneprofil II

Base Profile



Base profile
Sokkelprofil

L-Profiles



L-profile II Small
L-profil II Smal



L-profile II Wide
L-profil II Bred

Combi Profile



Combi profile
Kombiprofil

Fibo replaces vapor barrier when all joints are sealed.

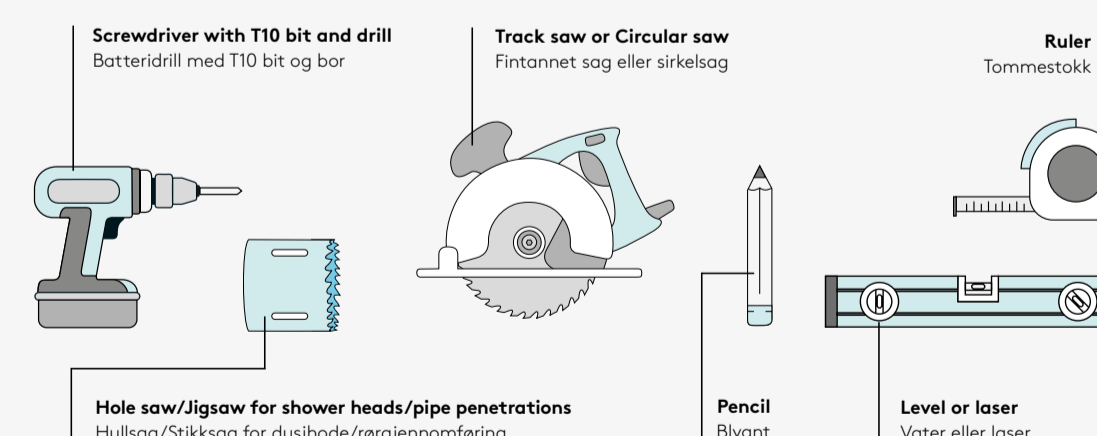
Fibo erstatter dampsperre på yttervegg når alle overganger er forseglet.

FIBO ACCESSORIES | FIBO TILBEHØR

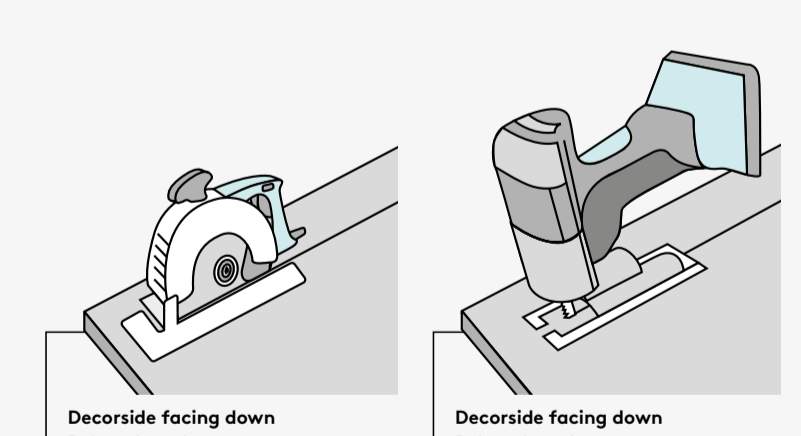


Remove film from Fibo Wipes immediately with soap water!
Vask bort film fra Fibo Wipes umiddelbart med såpevann!

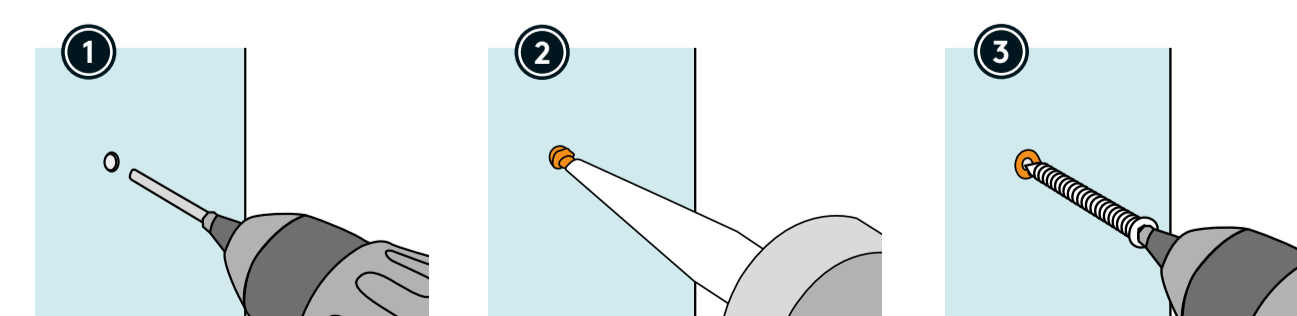
TOOLS YOU NEED | VERKTØY DU TRENGER



CUTTING PANELS | KUTTING AV PANEL



HOW TO SCREW PANELS | HVORDAN TETTE SKRUEHULL I PANEL



CLEANING & MAINTENANCE | RENGJØRING & VEDLIKEHOLD

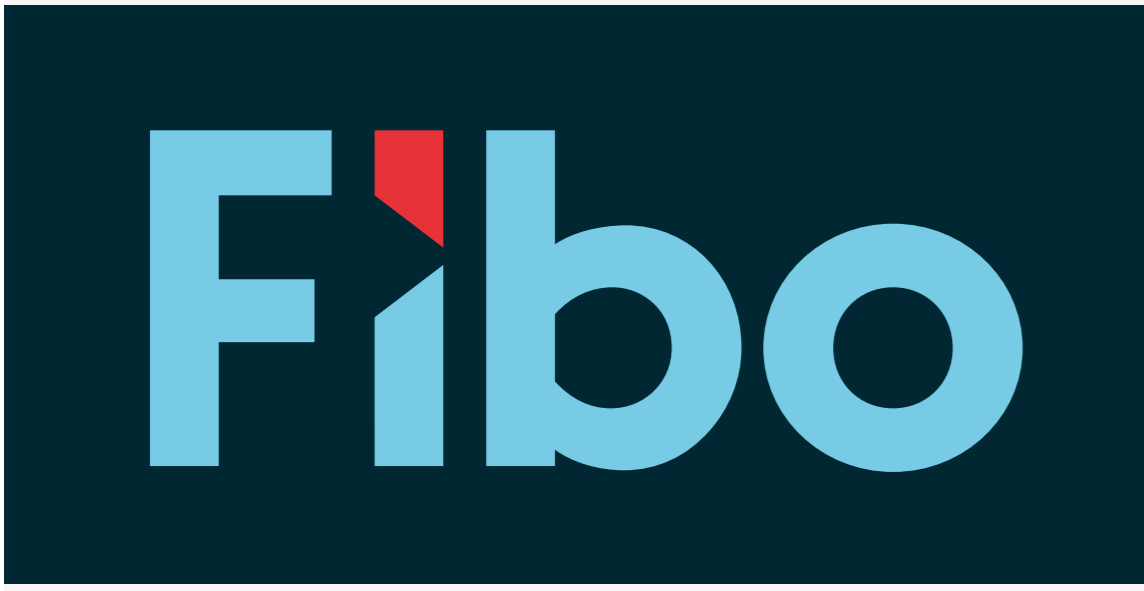
For daily cleaning use alkaline - neutral detergent with pH value 7-9 and lukewarm water. In general, for pH below 4 and below 9 the profiles will not corrode. White lacquered profiles can also withstand pH10. For removal of soap and skin fat use more "soft" detergent with pH 4-5, such as spray products for bathrooms or chlorine diluted in water. Rinse off with water after max.30 minutes. Specially sealant in base profile and hidden internal corner should be cleaned for soap and skin fat frequently. If sealant becomes brittle over time or damaged it must be treated immediately. Melamine sponges together with dishwasher soap can be used on stains on structures such as GEM, C and STN.

For daglig rengjøring, bruk alkalisk-neutralt vaskemiddel med pH-verdi 7-9 og lukevarmt vann. I generell, for pH over 4 og under 9, vil ikke profilene korrodere. Hvitt lakkerte profiler tåler også pH10. For fjerning av såpe og hudfett, bruk mer "søtt" vaskemiddel med pH 4-5, for eksempel sprayprodukter på bad eller klar fortynnet i vann. Skyll av med vann etter maks. 30 minutter. Spesielt fugemasse i sokkelprofil og skjult innvendig hjørne for fuging bør rengjøres for såpe og hudfett med jevne mellomrom. Hvis fugemasse blir sprø eller slasjer over tid, må den behandles umiddelbart. Melaminsvamp sammen med oppvaskåpe kan brukes på flekker på strukturer som GEM, C og STN.

FIBO ONLINE | FIBO PÅ NETT

- www.fibosystem.com
- www.fibo.no
- www.fibo.se
- www.fibosystemusa.com
- www.fibosystemcanada.com
- www.fibo.co.uk
- www.fibosystem.fi
- www.fibosystem.dk

For more information and warranty conditions. For mer informasjon og garantibestingelser.



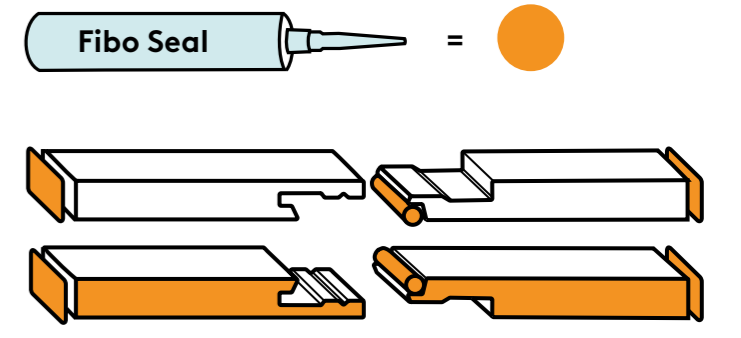
FOR NORTH AMERICA SEE LAST PAGE!

Installation step 1-6

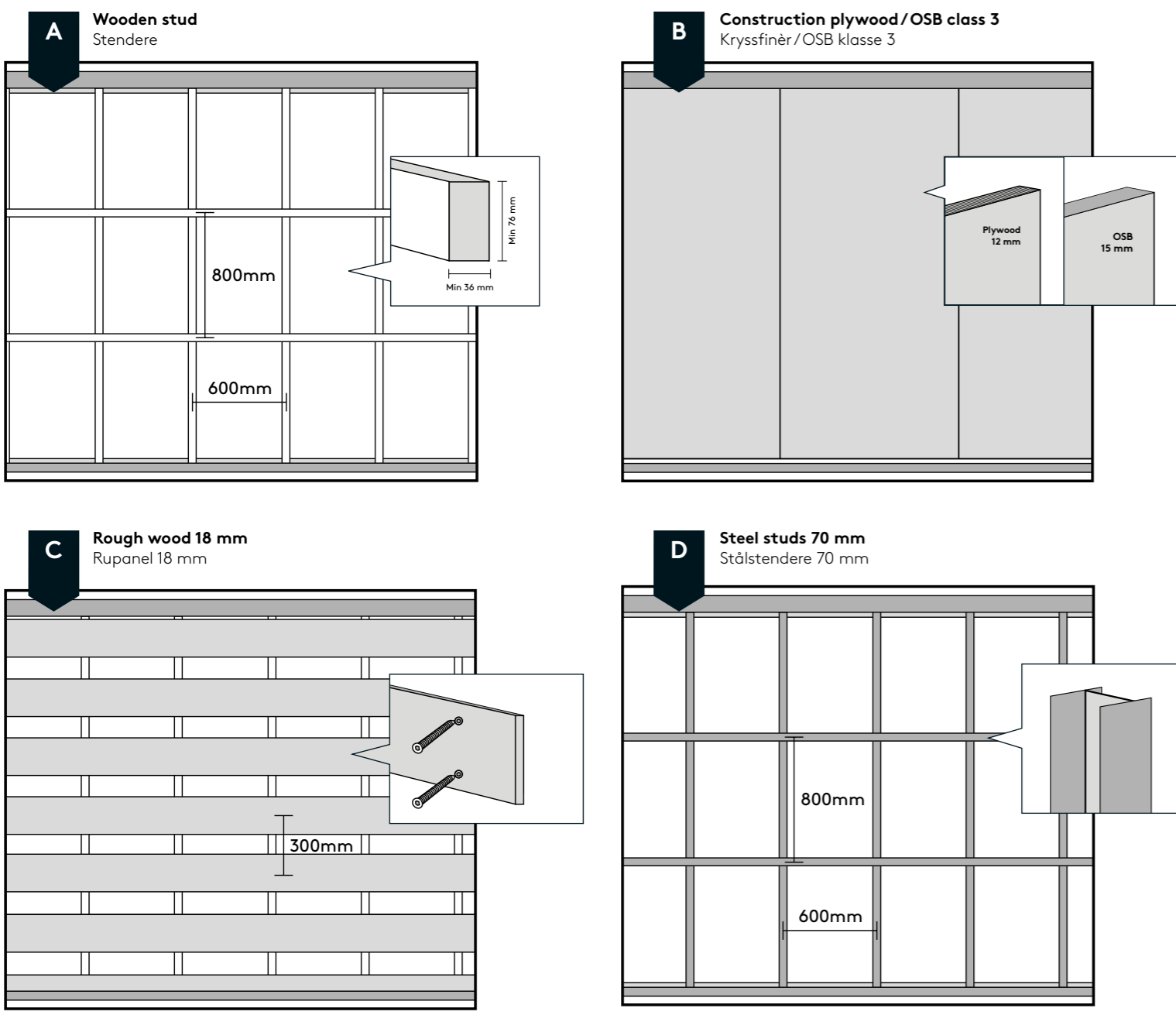
Montering step 1-6

HOW TO SEAL FIBO WALL PANELS
For watertight system, apply Fibo Seal as shown beneath. All cutting surfaces and bottom edge of panel must be sealed, also when drilling holes for pipe penetration. Incorrect installation will void your warranty. Use Fibo Clean and Fibo Wipes for removal of excessive sealant. Film from cleaning accessories shall be removed immediately from panel surface.

HVORDAN FUGE FIBO VEGGPANEL
For vannrett system, påfør Fibo Seal som vist under. Alle kuttflater og kryssfiner i bunn av panel skal forsegles også ved hulltakning til rørgjennomføring. Ved mangelfull montering bortfaller garanti. Bruk Fibo Clean og Fibo Wipes for å fjerne overflødig fugemasse. Film fra rengjøringsbiler skal fjernes umiddelbart fra panelene.

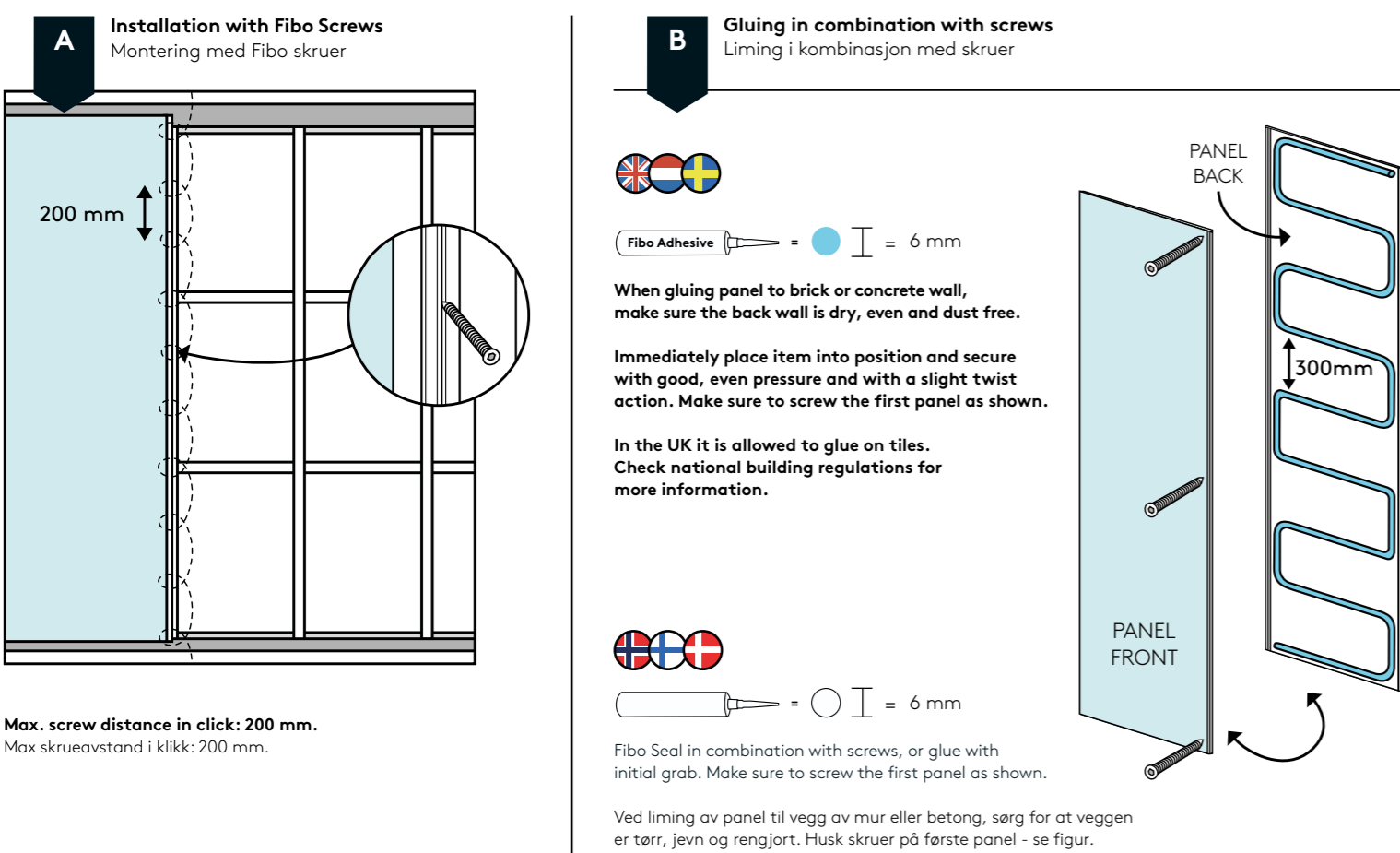


1 BACKWALL OPTIONS * VELG RIKTIG BAKVEGG

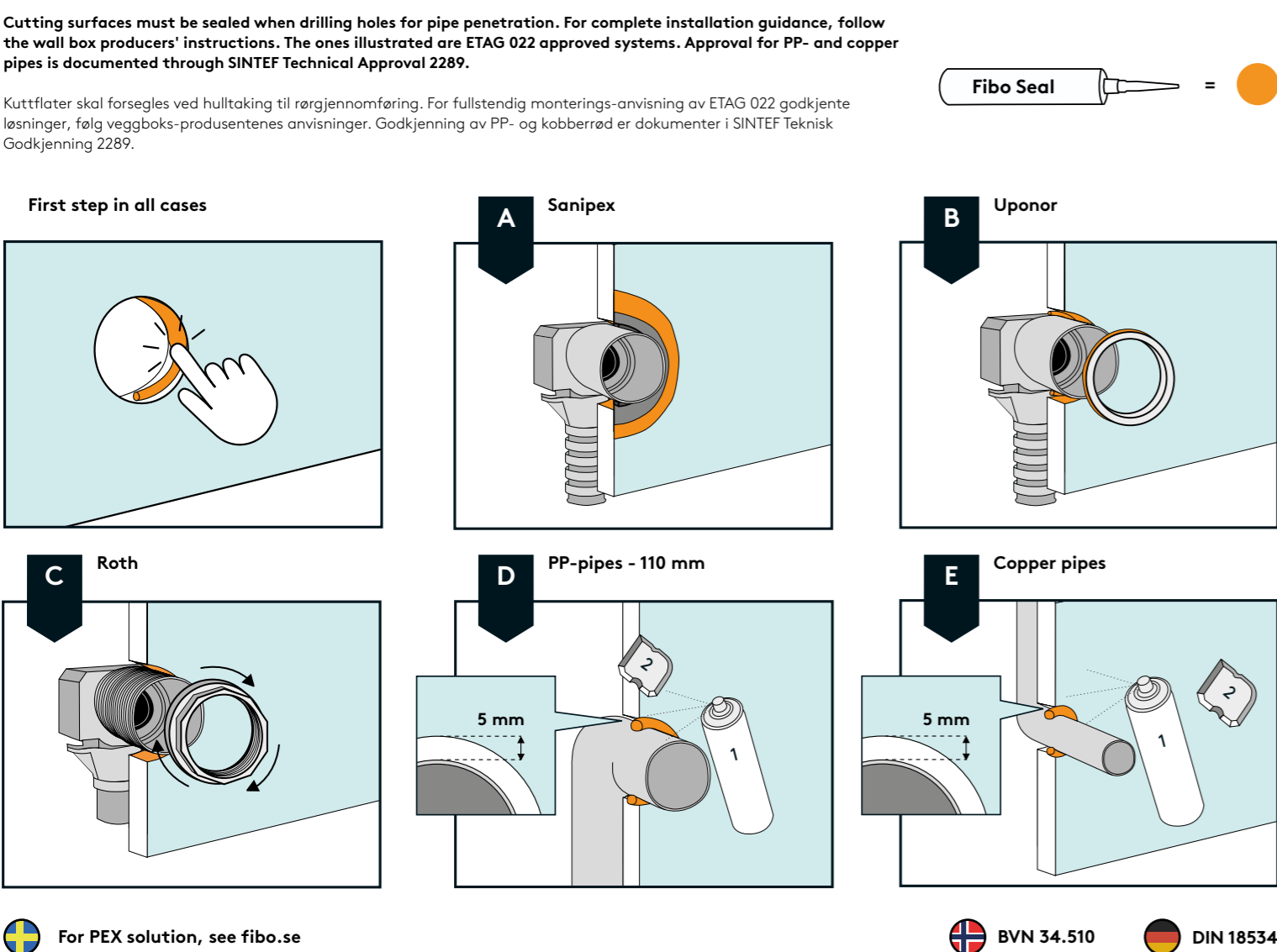


* For alternative backwall in selected markets, visit fibosystem.com

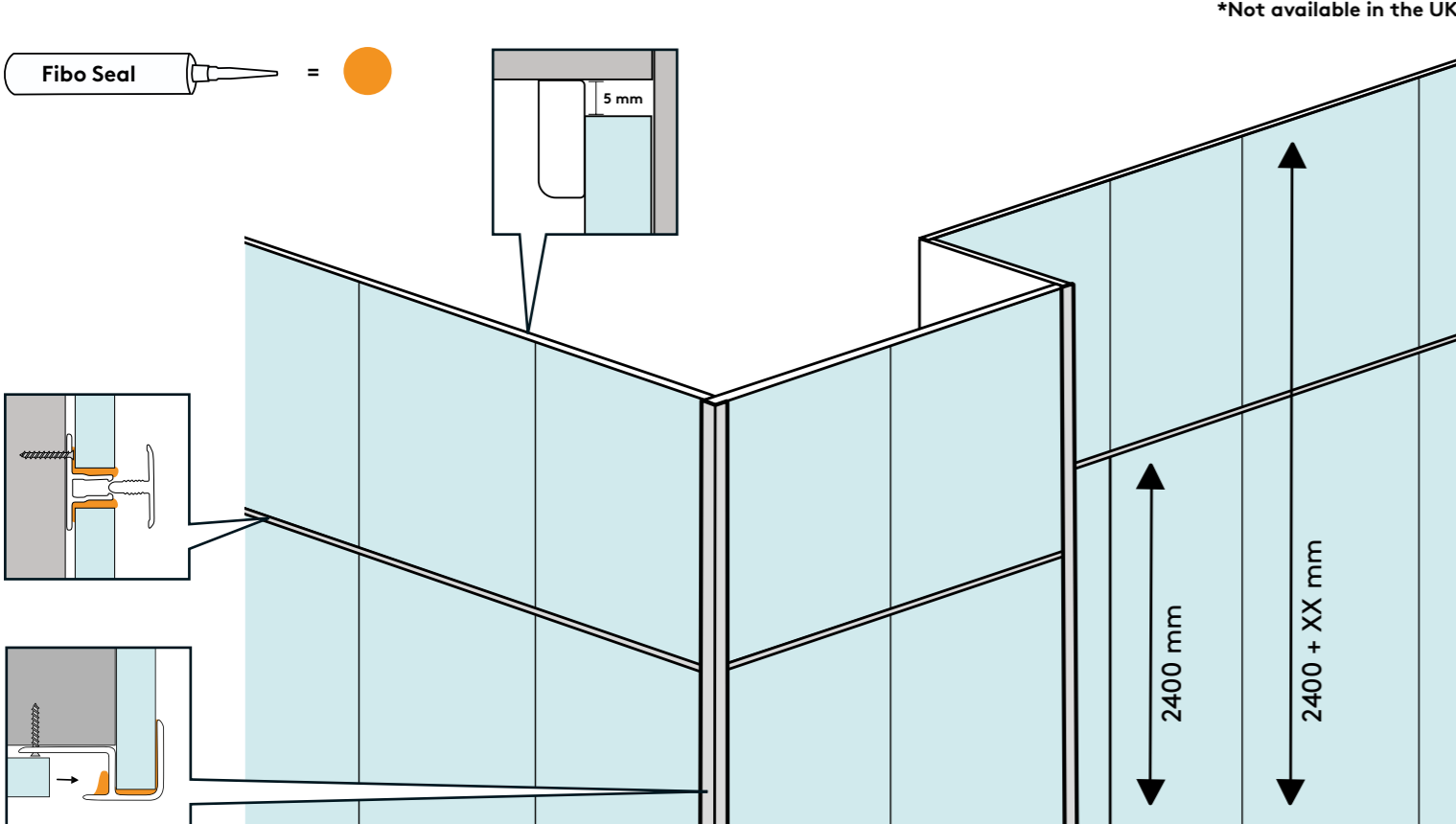
2 CHOOSE PANEL FIXING VELG FESTEMETODE FOR PANEL



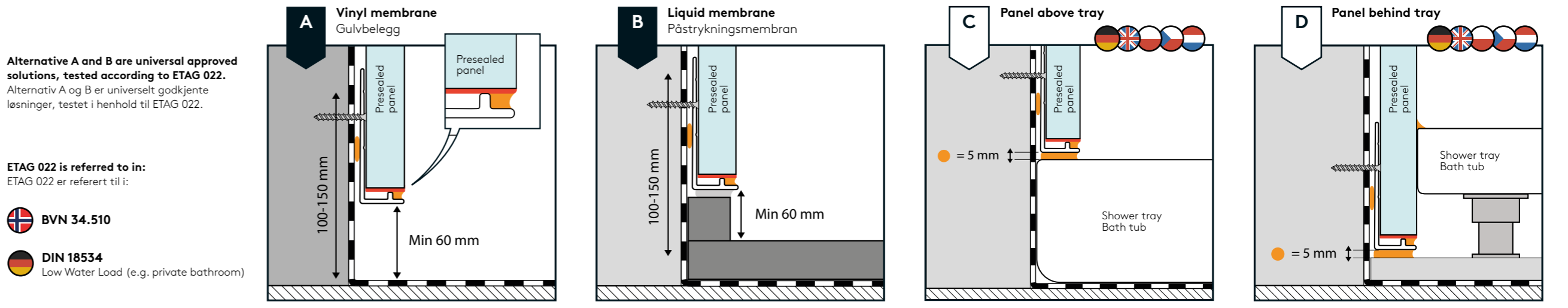
3 CHOOSE SOLUTION FOR APERTURES FOR PIPES VELG LØSNING FOR RØRGJENNOMFØRING



4 STACKING PROFILE | EXTERNAL CORNER PROFILE | SEALING FINISH * SKJØTEPROFIL | UTVENDIG HJØRNEPROFIL | AVSLUTNING MOT TAK

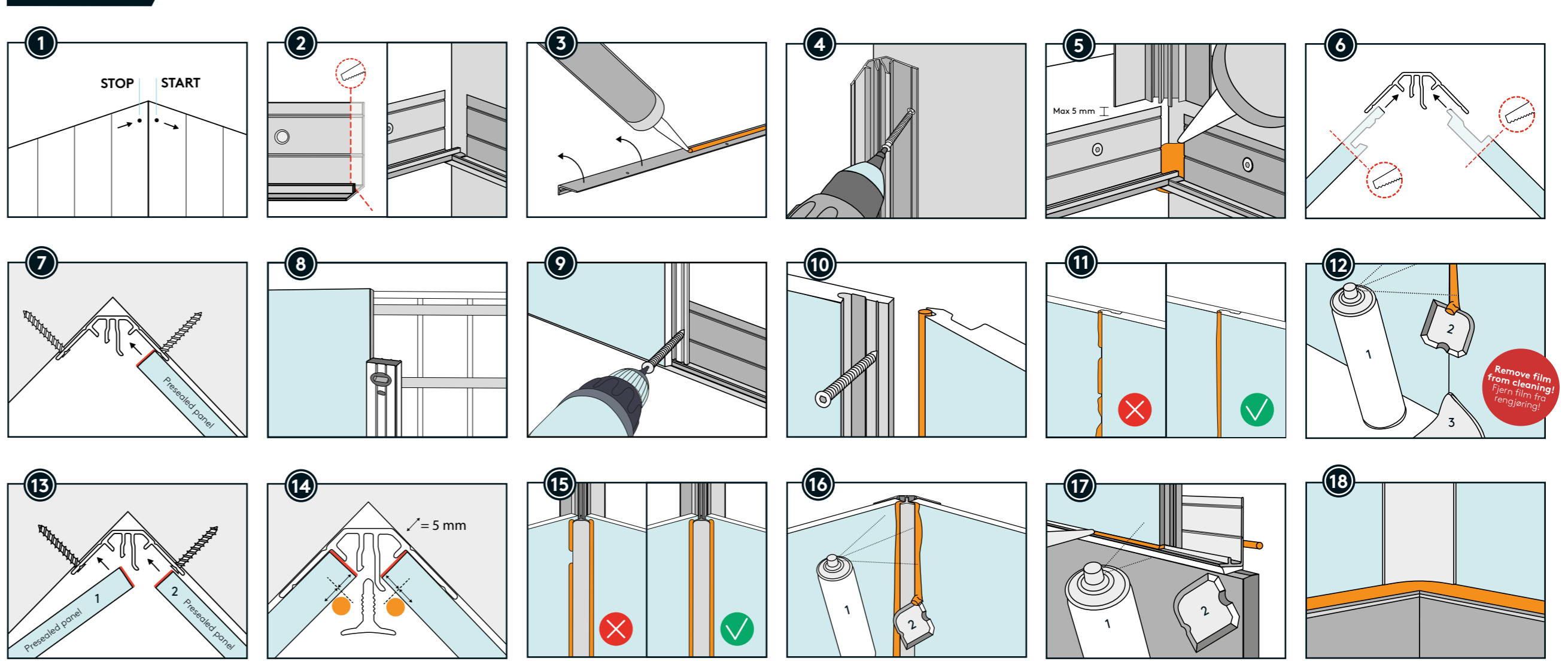


5 CHOOSE TRANSITION TO FLOOR MEMBRANE AVSLUTNING MOT GULVMEMBRAN

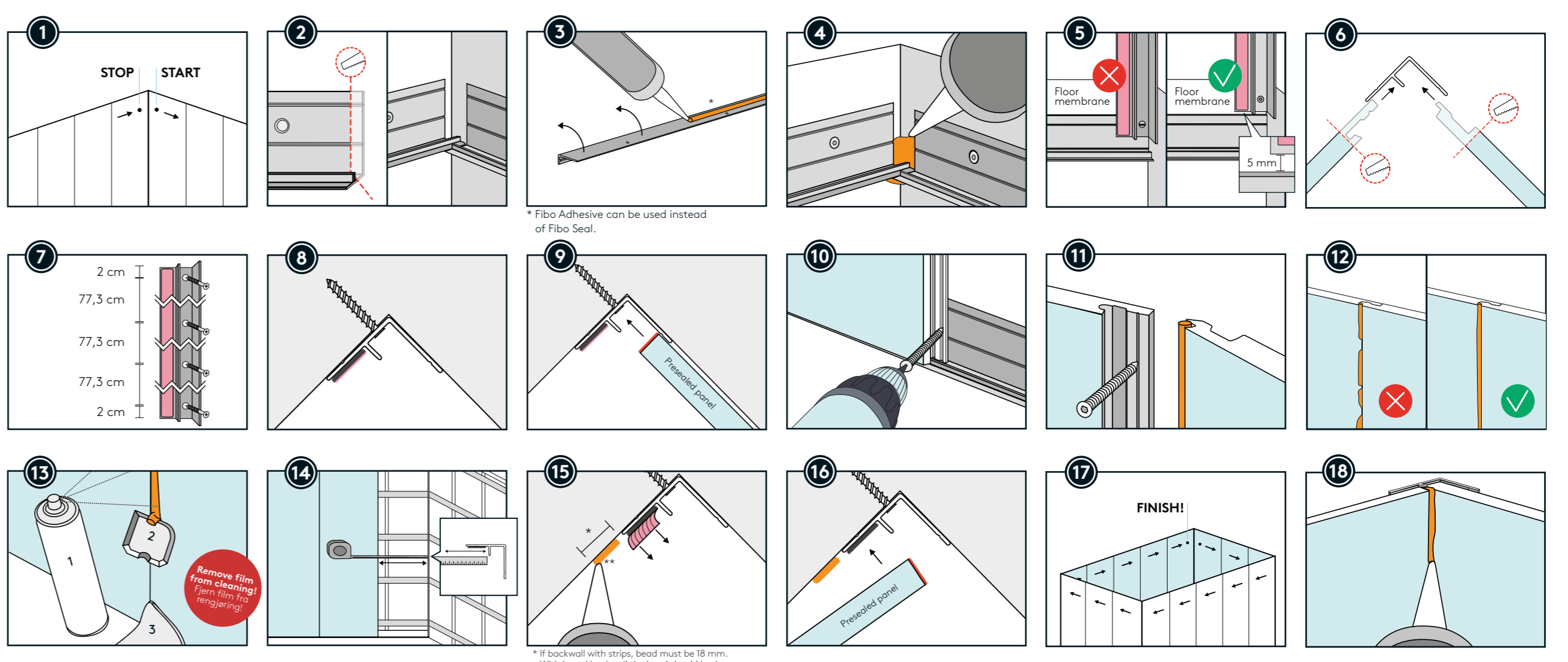


6 CHOOSE PREFERRED CORNER PROFILE A, B OR C VELG HJØRNEPROFIL A, B ELLER C

A 2-PART INTERNAL CORNER PROFILE* 2-DELT INNVEDIG HJØRNEPROFIL



B HIDDEN INTERNAL CORNER PROFILE SKJULT HJØRNEPROFIL



C STANDARD INTERNAL CORNER PROFILE STANDARD INNVEDIG HJØRNEPROFIL

