

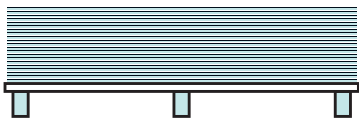


Fibo

Installation instruction Gluing standard Wall Panels

Panel size: 94 ³¹/₆₄ x 24 ¹³/₃₂ / 2400 x 620 mm

Gluing on tiles and plasterboard.



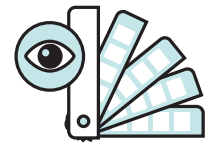
Storage |

Keep panels stored flat in package until installation.



72 hours |

Store panels in package in room conditions for at least 72 hour acclimation (longer if they have been kept in a cold area).



Visual control |

Colourmatch and check for flaws before installation.



Mechanical strenght:

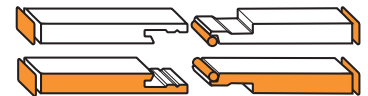
Only hang light weight equipment on the Fibo panels glued over tile or plasterboard wall. Do not hang handrails, bathroom furniture or similar without making appropriate support and fixing behind the Fibo panels. Fibo is not responsible for the instructions on how to reinforce the backwall for this. This is the responsibility of the installer and to follow the recommendation for the suppliers of the accessories.

Preparation:

- Tiles with high gloss finish will have to be rubbed/sanded to give a good "grip"
- Tiles will always have to be cleaned for any dust, soap etc before gluing
- If there is tiles only on part of the wall, battens must be installed on the rest of the wall to compensate for tile thickness
- The installer is responsible for checking or giving instructions on how to inspect the condition of new or existing plasterboard or tile wall. If any damage is a result of failure in the existing wall Fibo warranty is not valid.

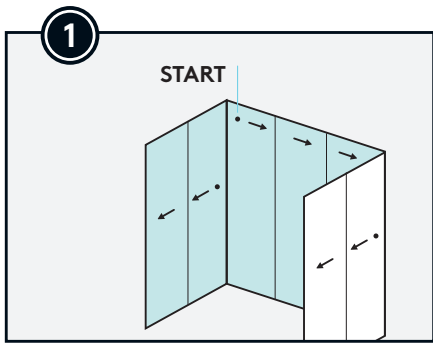
Amount of adhesive

- The amount of adhesive depends upon how straight the back wall is. In general 1 tube of adhesive per 2 panels in size 2x8 ft. More if the backwall is uneven.

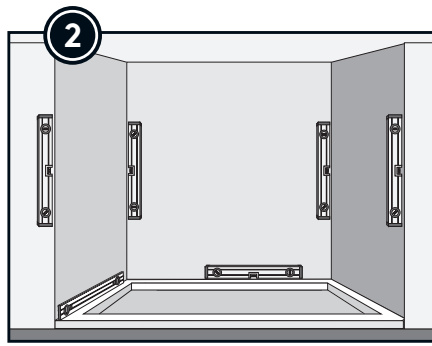


Fibo Seal in combination with screws, or glue with initial grab. Make sure to screw the first panel as shown. Follow the instructions from the adhesive supplier on how to prepare and apply adhesive. It may differ how quick it grabs.

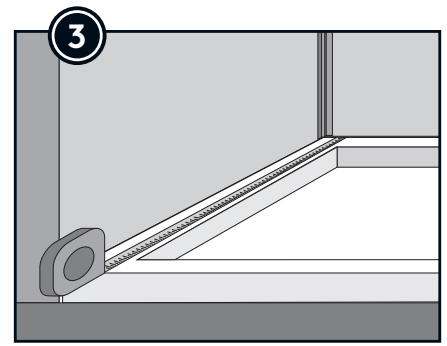
Make sure to check with the supplier of the adhesive that it is fit for your purpose. Choice of adhesive is the installers responsibility.



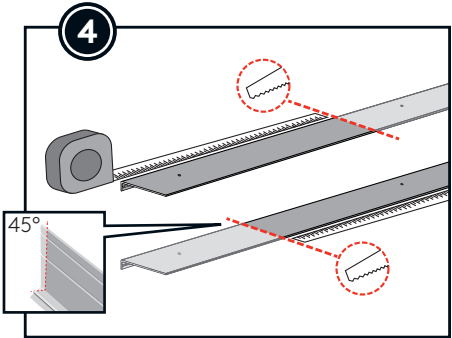
Assembly order



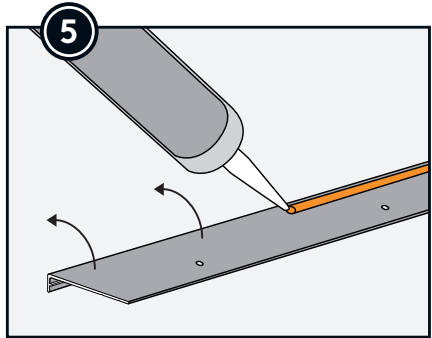
Make sure walls and base are plum/level



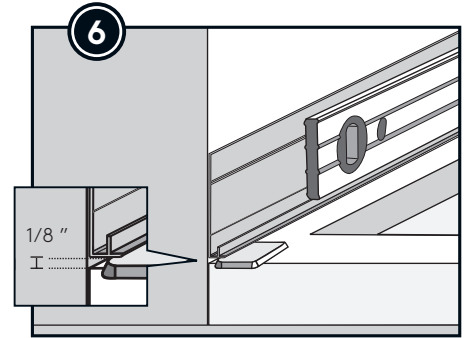
Measure for length of base profile



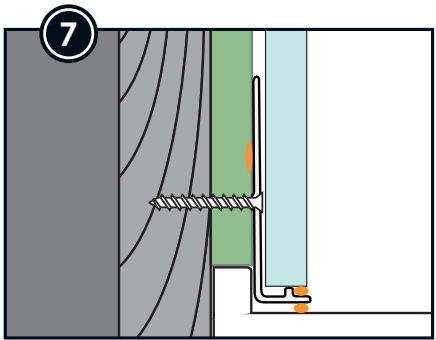
Cut to length and mitre corner 45°



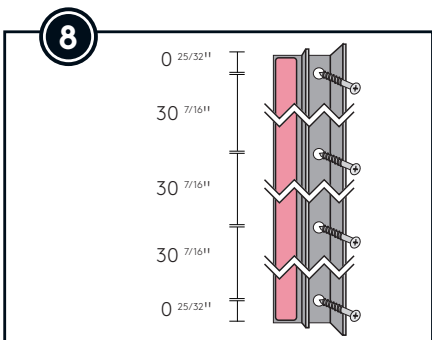
Apply Fibo seal on the back of the base profile



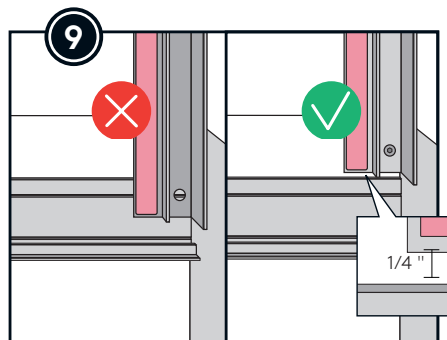
Shim 1/8 inch between tub and base profile.



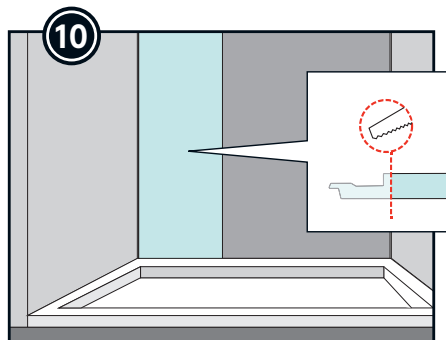
Attach base profile to the studs



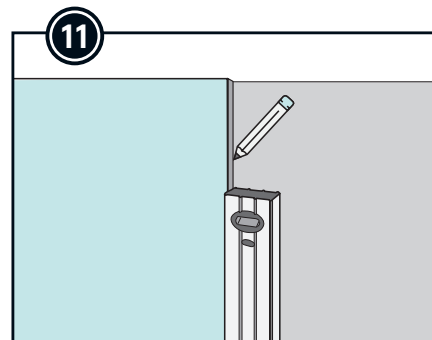
Hidden corner profile, screw pattern



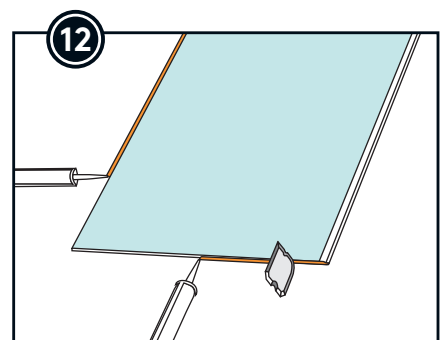
Leave 1/4 inch gap between corner profile and base profile



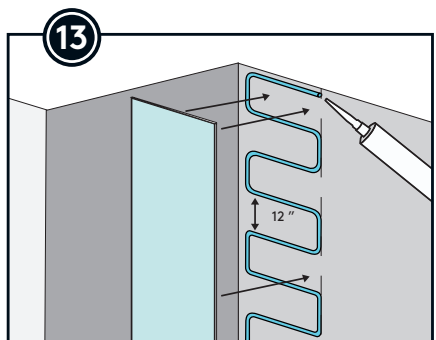
Clean cut panel no. 1 (left side)



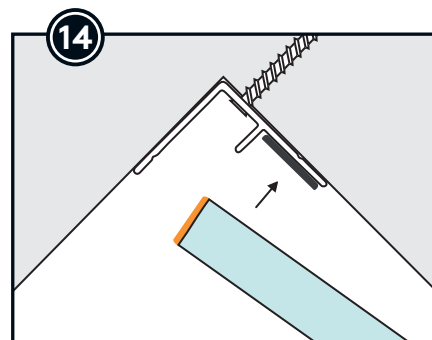
Dryfit panel, make sure it is plum and draw a line



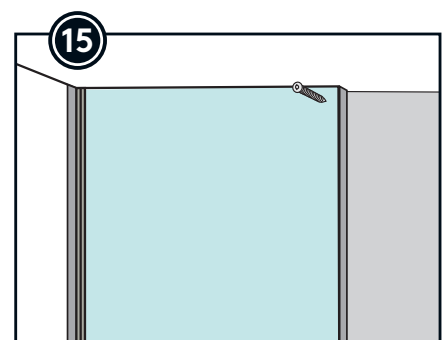
Apply Fibo Seal on cut surfaces



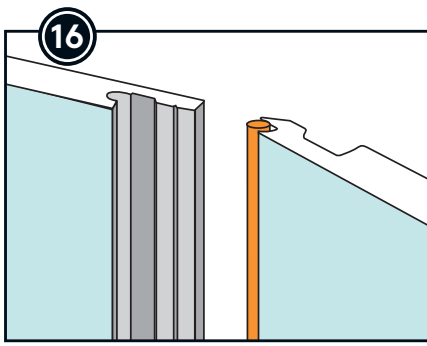
Gluing pattern on wall panel no. 1



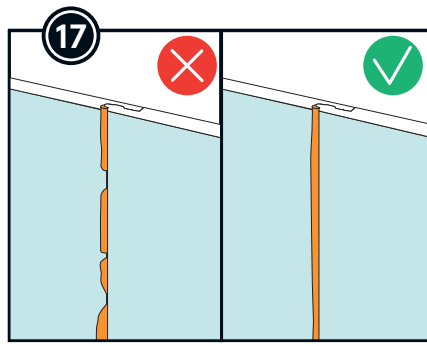
Tear of protection tape and install panel



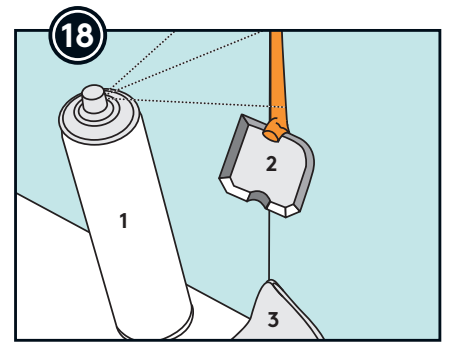
Countersink and attach with screw 1/4 inch from the top and into the stud. The screw will be hidden with L-profile



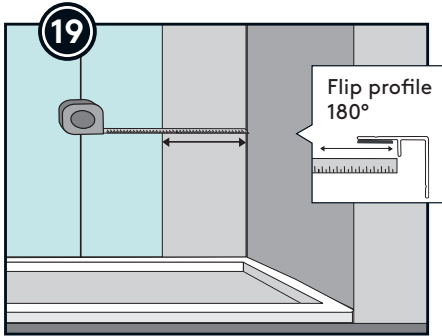
Next panel: Apply Fibo Seal in the Aqualock klik



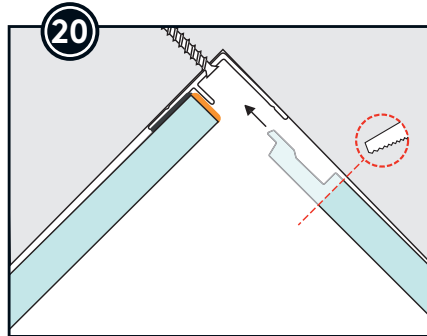
Make sure that there is enough sealant coming out of the click when put together



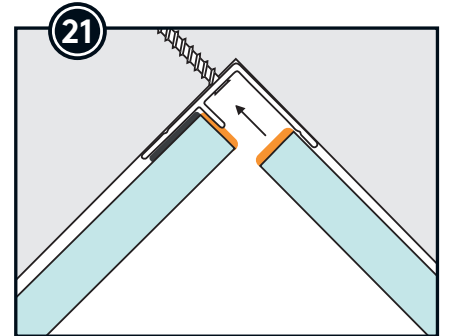
1. Spray with Fibo Clean
2. Remove with Fibo Sealing Tool
3. Finish with Fibo Wipes



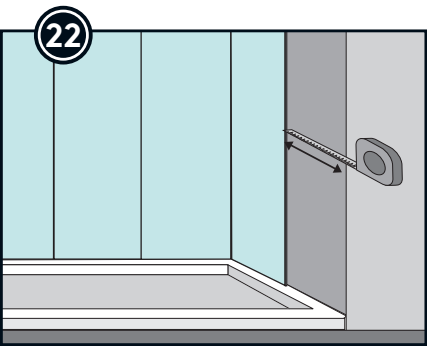
Flip the corner profile, measure and cut panel. Dry fit before applying glue and Fibo Seal.



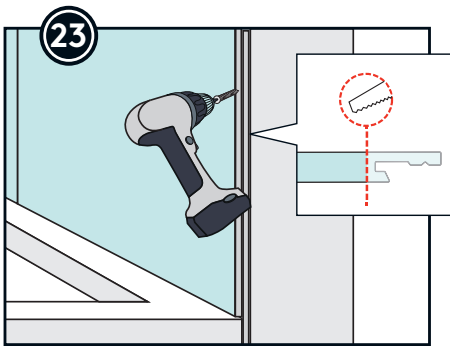
Measure and cut first panel on return wall



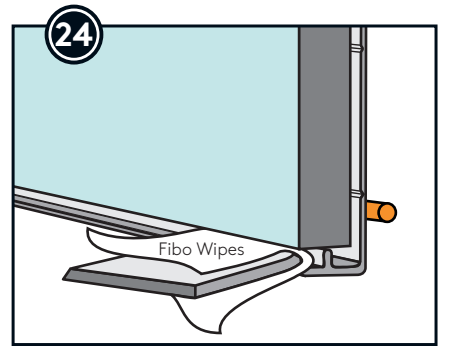
Apply glue on the wall, and Fibo Seal on cut surfaces



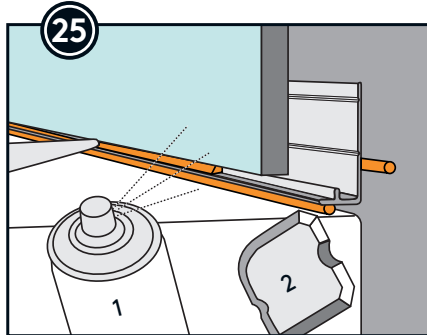
Measure last panel on return wall, cut to size, apply Fibo Seal on cut surfaces and attach to wall with glue



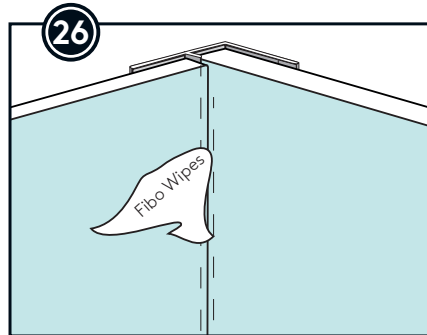
Countersink and attach with screws into stud with maximum 1/4 inch from the edge. The screw will be hidden with L-profile



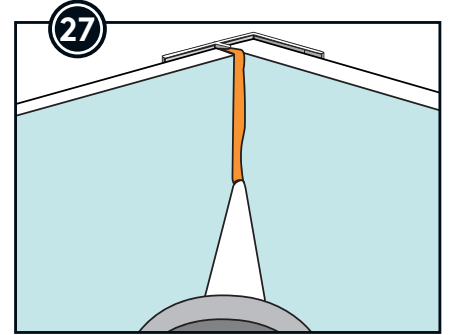
Clean with Fibo Wipes between panel and base profile, repeat between base profile and tray/bathtub



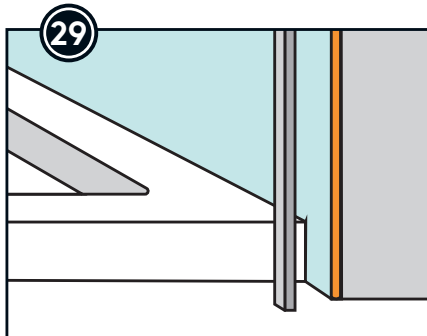
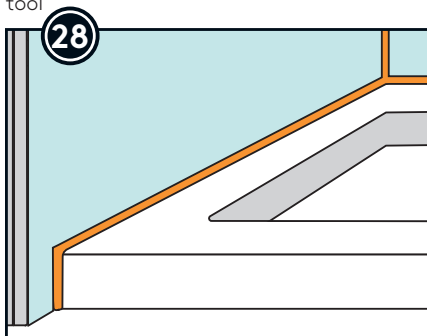
Apply Fibo Seal between panel and base profile, and between base profile and tray. Remove excess with Fibo Clean and sealing tool



Use Fibo Wipes to clean the corner

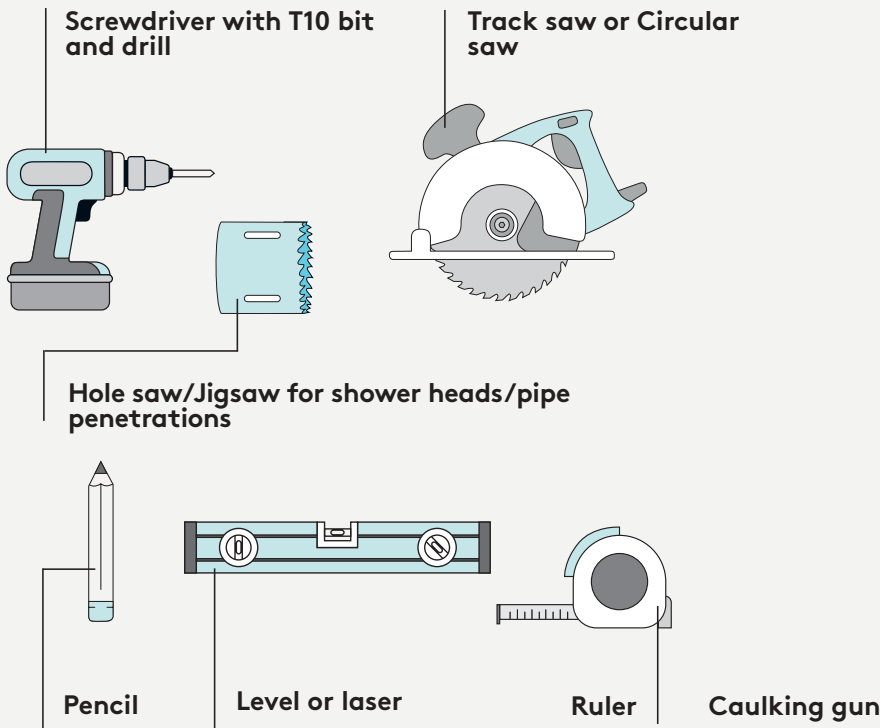


Apply Fibo Seal in corner and remove excess with Fibo Clean and Fibo Sealing Tool

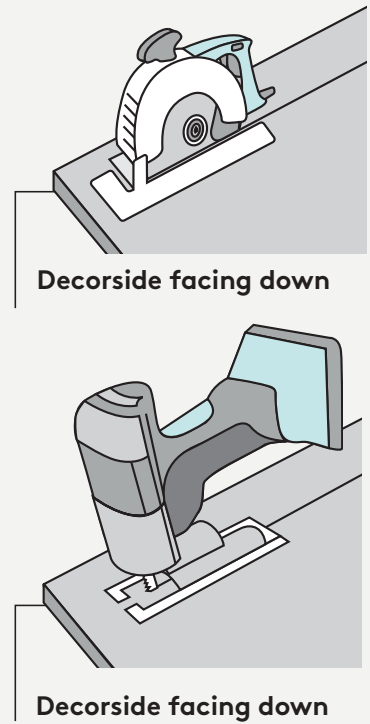


Install decorative L-shaped profile. Apply Fibo Seal in the profile and attach to wall

TOOLS YOU NEED



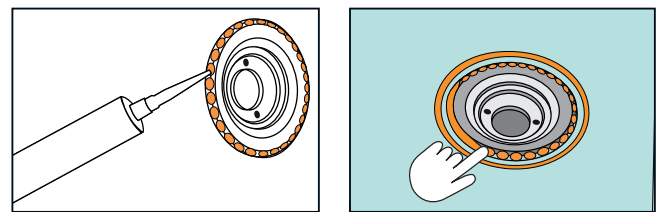
CUTTING PANELS



FIBO ACCESSORIES



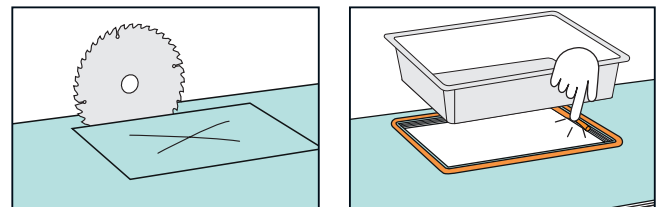
Faucet



CLEANING & MAINTENANCE

For daily cleaning use alkaline - neutral detergent with pH value 7-9 and lukewarm water. In general, for pH above 4 and below 9 the profiles will not corrode. White lacquered profiles can also withstand pH 10. For removal of soap and skin fat use more "acid" detergent with pH 4-5 such as spray products for bathrooms or chlorine diluted in water. Rinse off with water after max 30 minutes. Especially sealant in base profile and hidden internal corner should be cleaned for soap and skin fat frequently. If sealant becomes brittle over time or damaged it must be treated immediately. Melamine sponges together with dishwasher soap can be used on stains on structures such as GEM, C and STN.

Niche



WARNING: This product can expose you to chemicals including formaldehyde and acetaldehyde, which is known to the State of California to cause cancer. For more information, go to www.P65Warnings.ca.gov

WARNING: Fumes Hazard: The fumes from the Fibo Clean used by the installer can be harmful if used in an unventilated room. Always work in a well-ventilated area. To keep the area well-ventilated, open windows and use exhaust fans. If adequate ventilation is not achievable or practical, use respiratory protective equipment.

