



## European Technical Assessment

**ETA-17/0124**  
**of 03/01/2023**

### General Part

**Technical Assessment Body issuing the European Technical Assessment**

SINTEF AS by its institute SINTEF Community

**Trade name of the construction product**

Fibo Wall Panel

**Product family to which the construction product belongs**

Watertight Covering Kits for Wet Room floors and or walls. Kits based on inherently watertight Boards.

**Manufacturer**

Fibo AS  
Industriveien 2  
NO-4580 Lyngdal  
Norway

**Manufacturing plant(s)**

Fibo AS  
Industriveien 2  
NO-4580 Lyngdal  
Norway

**This European Technical Assessment contains**

7 pages including 2 Annex(es) which form an integral part of this assessment

**This European Technical Assessment is issued in accordance with Regulation (EU) No 305/2011, on the basis of**

EAD 030437-00-0503, March 2019, Watertight covering kits based on inherently watertight boards for wet room floors and/or walls

**This version replaces**

ETA 17/0124, version 01 issued on 28/06/2018

Translations of this European Technical Assessment in other languages shall fully correspond to the original issued document and should be identified as such.

Communication of this European Technical Assessment, including transmission by electronic means, shall be in full (excepted the confidential Annex(es) referred to above). However, partial reproduction may be made, with the written consent of the issuing Technical Assessment Body. Any partial reproduction has to be identified as such.

## Specific parts

### 1. Technical description of the product

Fibo Wall Panel is a watertight lining system based on plywood panels coated with high-pressure laminate on the front side and a backing on the rear side. The panels are made with a core of poplar, spruce and/or birch plywood and consist of minimum 5 sheets of wood according to EN 13986, glued with waterproof adhesive. The front of the panels is covered with 0,8 mm high-pressure laminate, and the backside is covered with a 0,2 mm thick backing.

Standard dimensions are 2400 mm length and 600 mm width. Panel thickness is 10,0 mm. The density is minimum 400 kg/m<sup>3</sup>. Tolerances are shown in table 1.

The long sides of the panels are profiled as shown in fig. 1, with an integrated locking profile "Aqualock". The short ends have inclined edges.

Fibo Wall Panel system consists of plywood panels, installation profiles from extruded aluminium and Fibo Seal, se fig. 2.

Table 1  
Tolerances for production of Fibo Wall Panel

Property	Requirement	Test method
Length	± 1,0 mm	NS-EN 324-1
Width	± 0,5 mm	
Thickness	± 0,4 mm	
Squareness	≤ 1,0 mm	Diagonal deviation
Edge straightness	Max 0,8 mm	NS-EN 324-2
Lipping tongue/groove	≤ 0,15 mm	-

Table 2  
Sealants for use with Fibo Wall Panel

Wet area sealant	Aluminium profiles
Fibo Seal	x

### 2. Specification of the intended use(s) in accordance with the applicable European Assessment Document (hereinafter EAD)

Fibo Wall Panel is used on walls in sanitary rooms as a waterproof lining. The panels can also be used in cloakrooms, washrooms, laundries, cleaning plants, laboratories etc.

### 3. Performance of the product and references to the methods used for its assessment

#### 3.1 Essential characteristics and their performance

Table 3 Essential characteristics and their performance

<b>Basic works requirement (BWR)</b>		<b>Characteristic ETAG/EAD Clause No.</b>	<b>Test method and assessment/classification</b>
BWR 1	Mechanical resistance and stability		Not relevant
BWR 2	Safety in case of fire	Reaction to fire 2.2.1	EN 13501-1
BWR 3	Hygiene, health and the environment	Release of dangerous substances 2.2.2  Release of formaldehyde 2.2.2  Water vapour permeability 2.2.3  Watertightness 2.2.4  Crack bridging ability 2.2.5.  Scratching resistance 2.2.7  Joint bridging ability 2.2.8  Impermeability at sealings 2.2.9  Watertightness around penetrations 2.2.11	EG 1907/2006 REACH  EN 13986  EN ISO 12592, 93-50 % RH  EN 14891, A7  No performance assessed  EAD 030437-00-0503, Annex C  EAD 030437-00-0503, Annex B  EAD 030437-00-0503, Annex B  EAD 030437-00-0503, Annex E
BWR 4	Safety and accessibility in use	Slipperiness 2.4.5	Not relevant
BWR 5	Protection against noise		Not relevant
BWR 6	Energy economy and heat retention		Not relevant

<b>Basic works requirement (BWR)</b>		<b>Characteristic ETAG/EAD Clause No.</b>	<b>Test method and assessment/classification</b>
BWR 7	Sustainable use of natural resources		Not relevant

**4. Assessment and verification of constancy of performance (hereinafter AVCP) system applied, with reference to its legal base**

According to the decision 2003/655/EC - Commission decision of date 12 September 2003, published in the Official Journal of the European Union (OJEU) L231/12 of 17/09/2003, of the European Commission, the system of assessment and verification of constancy of performance (see Annex V to the regulation (EU) No 305/2011) is 2+.

**5. Technical details necessary for the implementation of the AVCP system, as provided for in the applicable EAD**

Technical details necessary for the implementation of the AVCP system are laid down in the control plan deposited at SINTEF.

Issued in Oslo on 03/01/2023

By

SINTEF AS by its institute SINTEF Community

Anne-Jorunn Enstad

Certification Manager

## **Annex 1**

### **Installation**

Fibo Wall Panel can be installed on timber and steel frame constructions, brick and concrete walls using strips, battens or glued directly to concrete. Substrates of gypsum or constructions panels can also be used. Fibo Seal shall be used as sealant in wet zones. The installation should be carried out in accordance with manufacturers installation instruction.

Extra support/battens in backwall shall be used if heavy objects, for instance washstand and shower seat will be installed.

The base profile is installed with a level to ensure the panels are installed correctly and effortlessly.

The first bottom screw shall be placed through the base profile (25mm ut from the bottom of the panel). Further screw distance should be max 200 mm center to center.

### **Wet areas**

For wet areas all vertical joints, profiles and cut edges on Fibo Wall Panel shall be sealed using Fibo Seal.

Bottom edge of all panel are to be sealed with Fibo Seal prior to assembly in wet areas.

Fibo Seal has been tested with Fibo Wall Panel according to EAD 030437-00-0503, March 2019, Watertight covering kits based on inherently watertight boards for wet room floors and/or walls. The sealant complies with present environmental requirements.

### **Penetrations in wet areas**

Watertightness around wall boxes is ensured by using one of following methods:

- Sleeve delivered with the wall box is to be attached to the Fibo Wall Panel using Fibo Seal. See Figure 3.
- Tightening ring and gasket delivered with wall box is installed as illustrated in Figure 4.
- Fibo Seal around the wall box. See Figure 5.

### **Maintainance/cleaning**

Fibo Wall Panel are to be cleaned using a wet cloth or using a mild detergent without rubbing components.

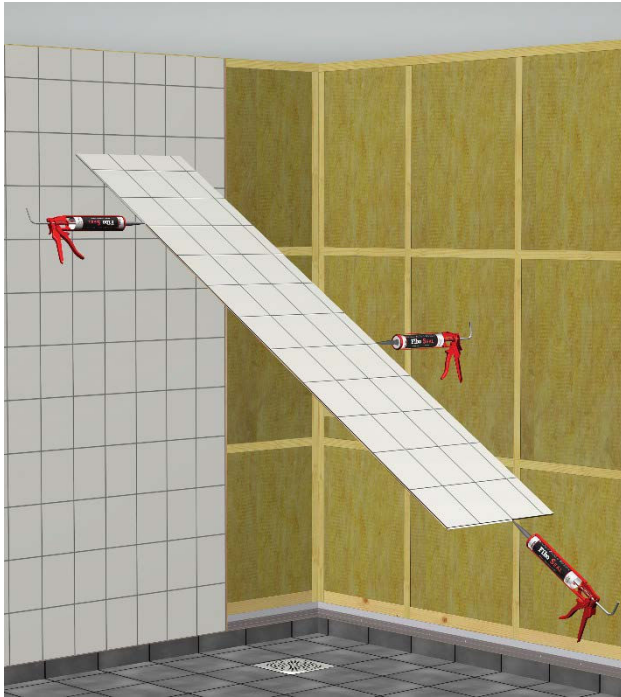


Fig. 1  
Fibo Wall Panel system

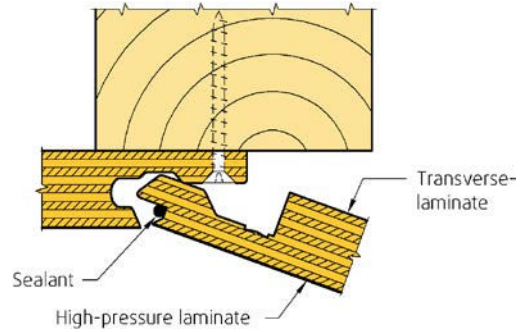


Fig. 2  
Fibo Wall Panel with Aqualock system

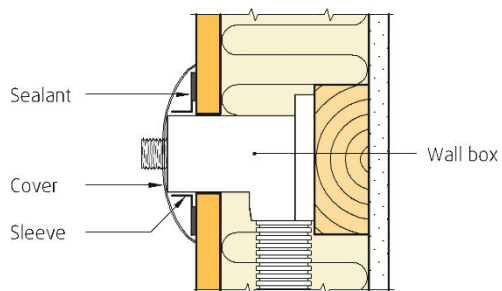


Fig. 3  
Installation of wall box with sleeve

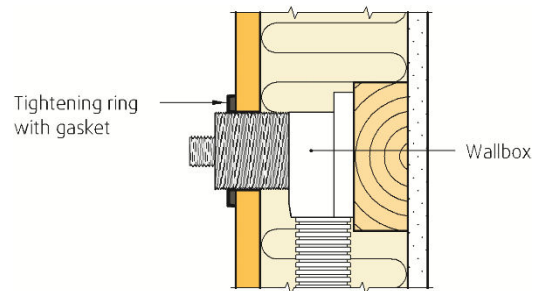


Fig. 4  
Installation of wall box with tightening ring and gasket

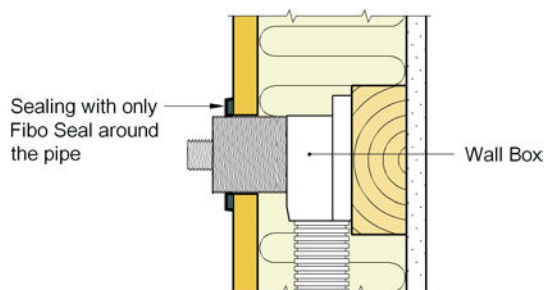


Fig. 5  
Installation of wall box with Fibo Seal