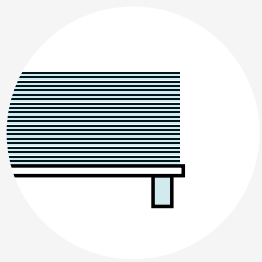




VITO WALL PANELS FOR DRY ROOMS INSTALLATION INSTRUCTIONS



DRY ROOMS ONLY



STORAGE/TERMS OF CONDITION

Keep the panels stored dry and flat in their packaging until installation. Humidity: 30-60%. Temperature: 15-30 C°. Panels must be kept at minimum 3 days (72 h) in these conditions before installation.



VISUAL INSPECTION

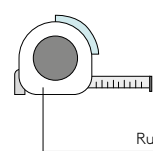
Check for product flaws before installation. Colour differences may occur on natural products.



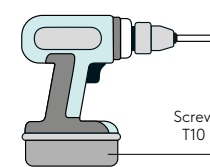
DO NOT USE IN SHOWERS OR OTHER WET ROOMS!

These panels are designed solely for dry rooms and are not suitable for installation in wet areas.

RECOMMENDED ACCESSORIES

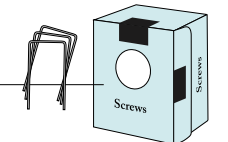


Ruler



Screwdriver with T10 bit and drill

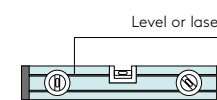
Staples (min. 10 x 35 mm) or Screws (min. 3,0 x 35 mm)



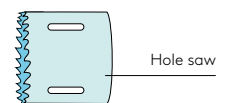
Pencil

Wooden Glue

Wooden Glue



Level or laser

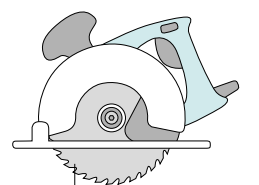


Hole saw



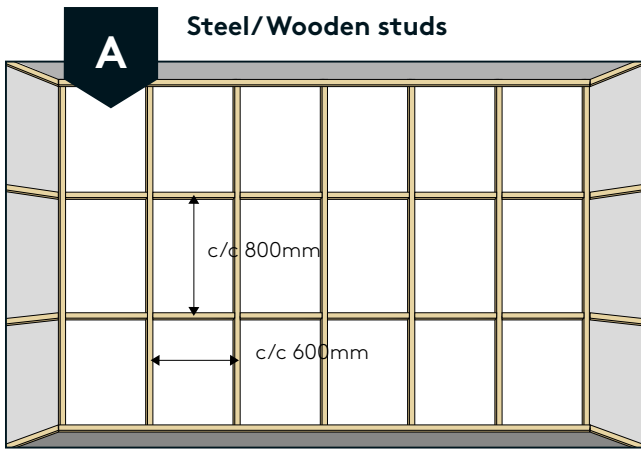
Click wax/
Candle light wax

Hand saw/
Jigsaw/Circular saw

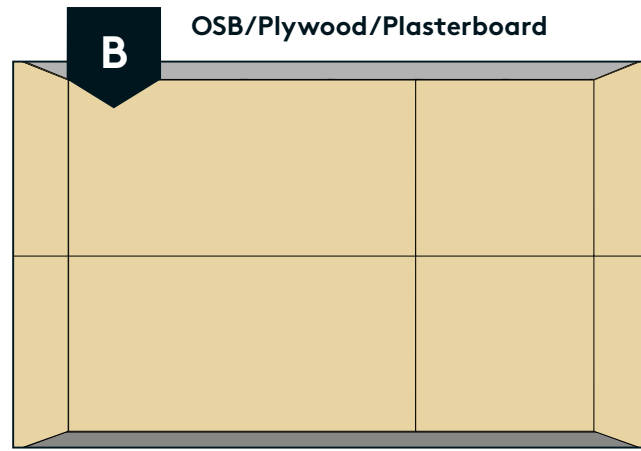


CHOOSE PREFERRED BACKWALL OPTIONS

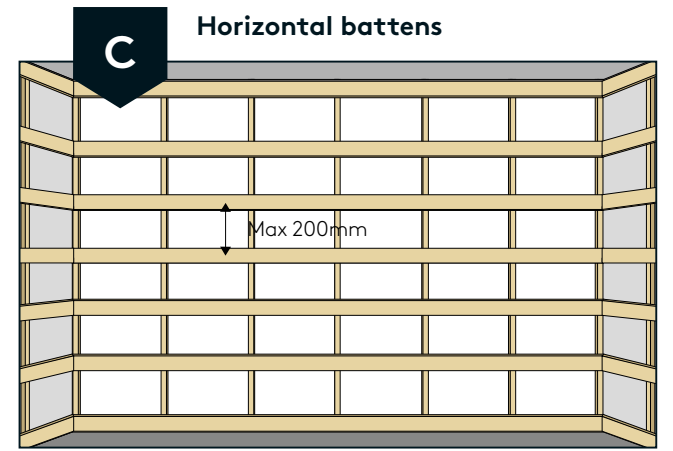
Make sure that the backwall is leveled, and that the corners are straight. It is important that uneven walls are corrected before installation.



Wooden or steel studs with recommended distances as shown in the illustration.

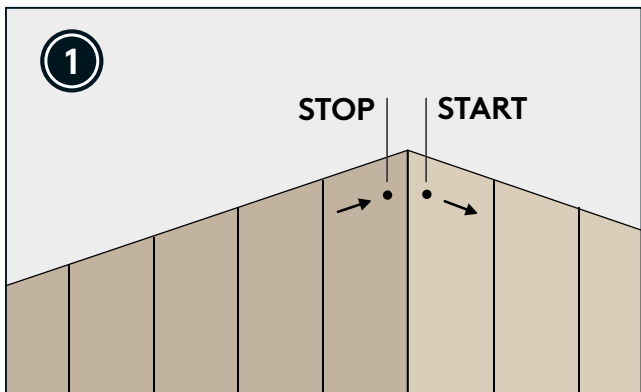


Full-covering wall 240x120 cm. Installed horizontally or vertically. Mark the rear studs for secure fastening if using plasterboards

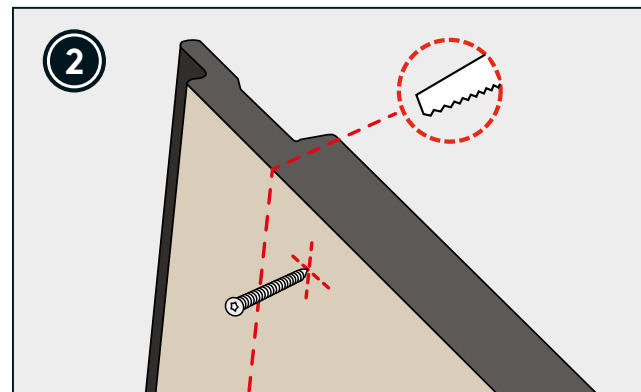


Horizontal battens (e.g., rough wood) with a maximum spacing of 200mm between battens.

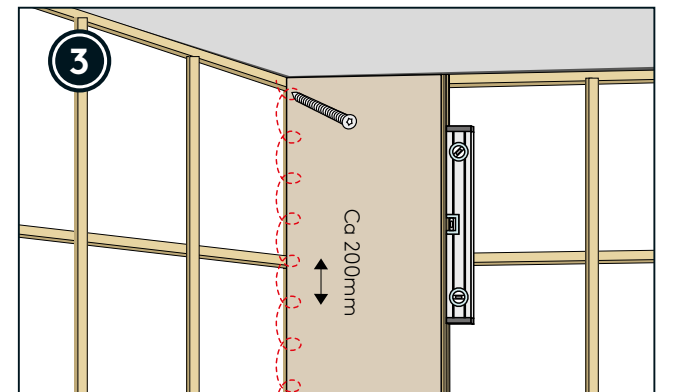
FOLLOWING THE INSTALLATION INSTRUCTIONS ENSURES OPTIMAL RESULTS



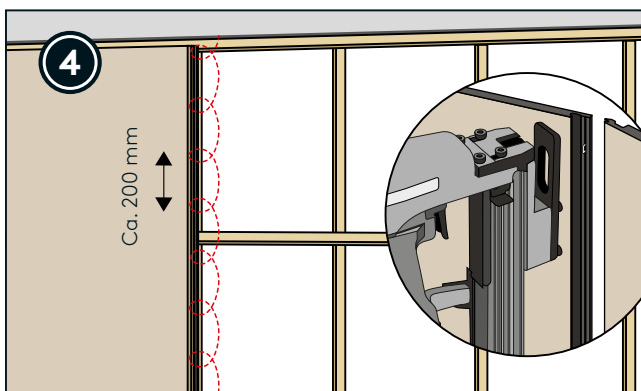
Installation should start and stop in a corner for best result.



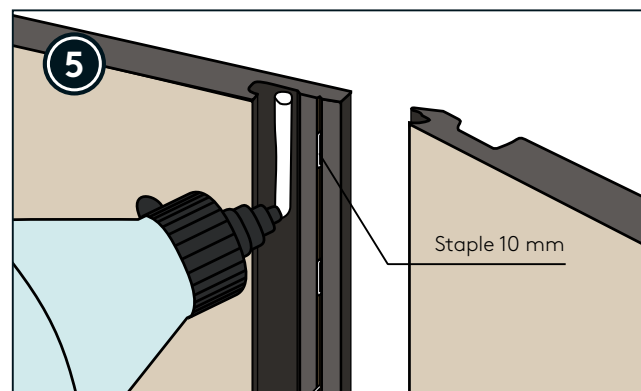
Remove female part of the lock, decor side facing down, when fitting the first panel. First panel must be fastened with screws or staples on both sides.



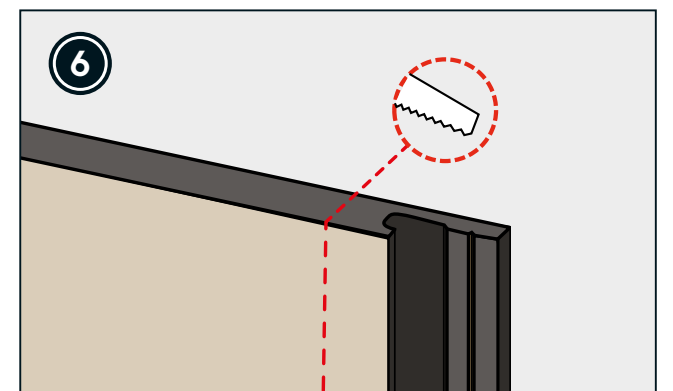
Make sure you fit the first panel plum and fasten with screws or staples. To achieve the best result with plasterboard, it is recommended to combine screws/staples with glue, when fastening the panel.



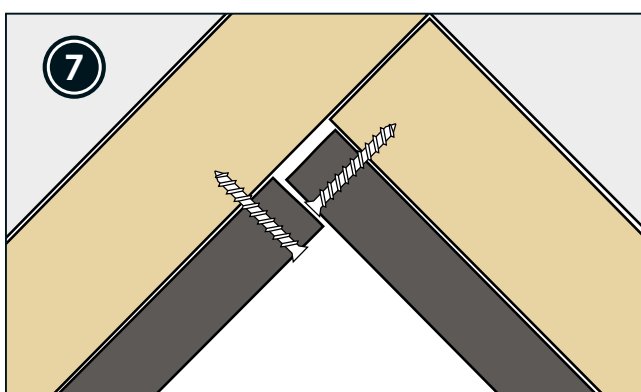
Ideal screw/staple distance is approx 20 cm. It is recommended to use staples in the click.



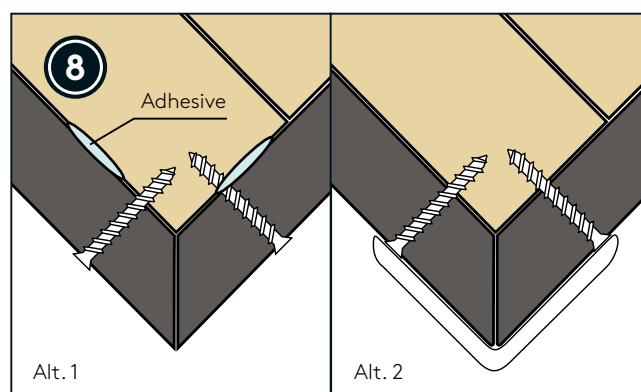
Join the panels using the click-lock system, ensuring to use gentle rocking movements to prevent any damage to the locking mechanism. It is recommended to use wooden glue in the joint.



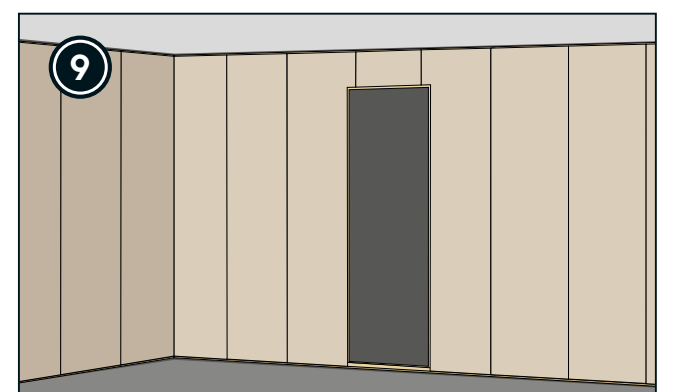
Remove male part of the lock and adjust the width for the last panel.



Remove lock parts and fasten with screws or staples in inner corner. The screw head will be hidden with putty or acrylic sealant.



Mitre the external corner 45°. Use wooden glue where the panels meet and fasten with screws in top and bottom of the panel. When not using external corner profile (Alt. 2), adhesive must be used behind panels.



Use your preferred moldings to achieve the perfect finish.

FOR USE IN DRY ROOMS ONLY

ESSENTIAL TIPS FOR OPTIMAL RESULTS

To reduce the risk of gaps in the joints due to low humidity, we recommend using wood glue during installation (5), although it is not mandatory. For securing the click joint, staples are preferred over screws to prevent cracking of the wood fibers. If the click joint is challenging to assemble, we recommend using Fibo Click Wax or candle wax to facilitate the installation.

