

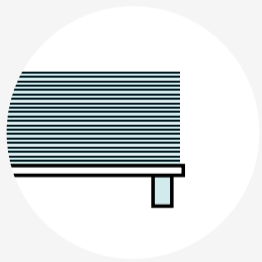


VITO WALL PANELS FOR DRY ROOMS INSTALLATION INSTRUCTIONS

VITO WOOD FIBER PANEL, VITO LACQUERED VENEER PANEL AND VITO POPLAR PANEL



DRY ROOMS ONLY



STORAGE/TERMS OF CONDITION

Keep the panels stored dry and flat in their packaging until installation. Humidity: 30-60%. Temperature: 15-30 C°. Panels must be kept at minimum 3 days (72 h) in these conditions before installation.



VISUAL INSPECTION

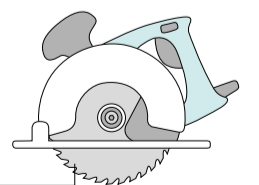
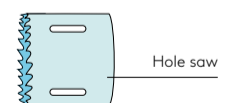
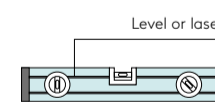
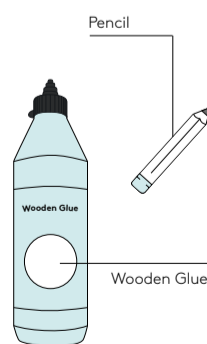
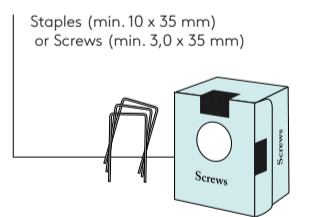
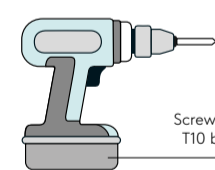
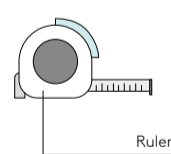
Check for product flaws before installation. Colour differences may occur on natural products.



DO NOT USE IN SHOWERS OR OTHER WET ROOMS!

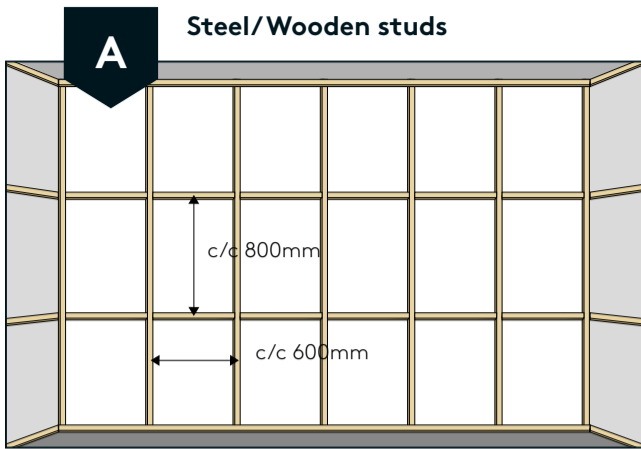
These panels are designed solely for dry rooms and are not suitable for installation in wet areas.

RECOMMENDED ACCESSORIES

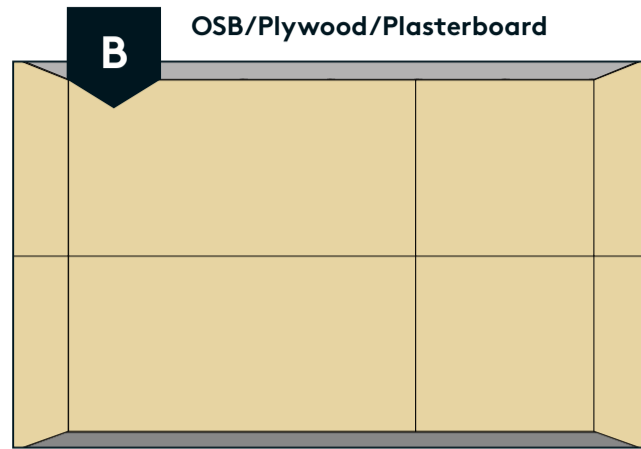


CHOOSE PREFERRED BACKWALL OPTIONS

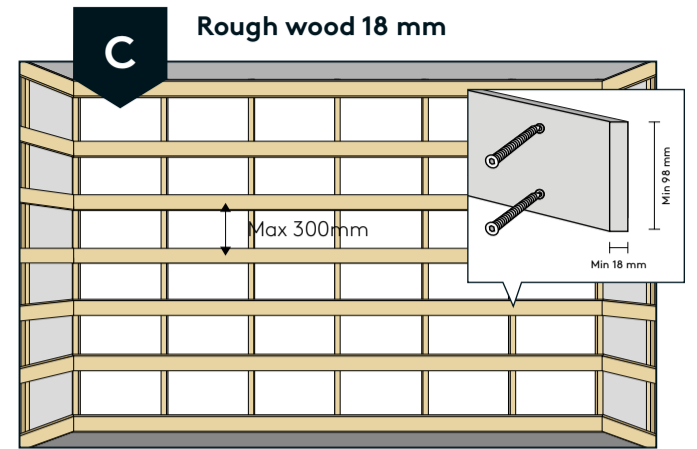
Make sure that the backwall is plum, and that the corners are straight. It is important that uneven walls are corrected before installation. For wall surfaces longer than 10 meters, an expansion joint of 1 mm per running meter must be included.



Wooden or steel studs with recommended distances as shown in the illustration.

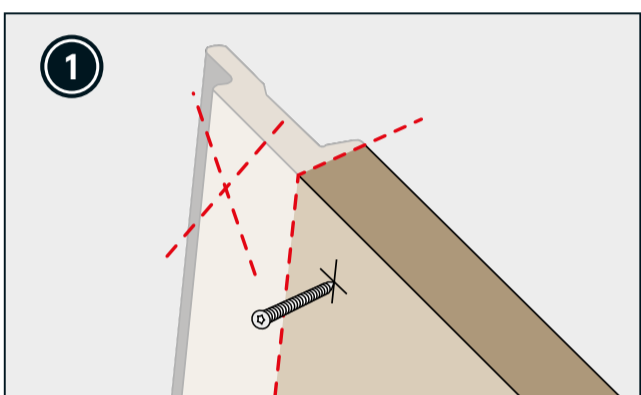


Full-covering wall 240x120 cm. Installed horizontally or vertically. Mark the rear studs for secure fastening if using plasterboards

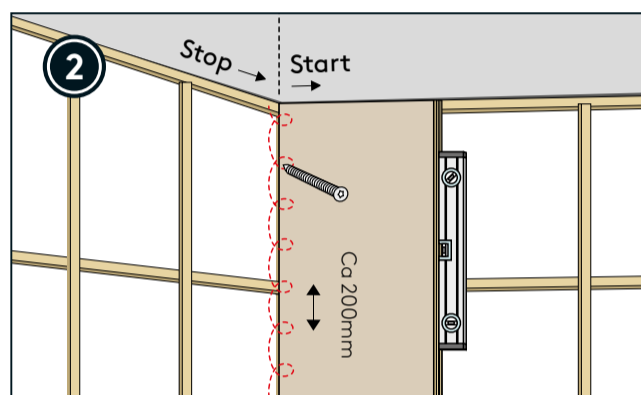


Horizontal battens (e.g., rough wood) with a maximum spacing of 300mm between battens.

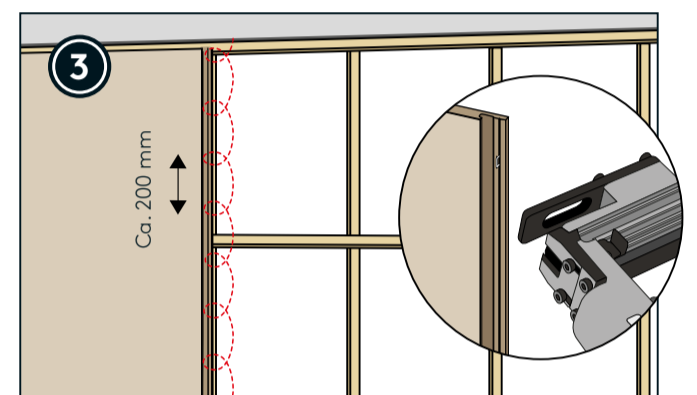
FOLLOWING THE INSTALLATION INSTRUCTIONS ENSURES OPTIMAL RESULTS



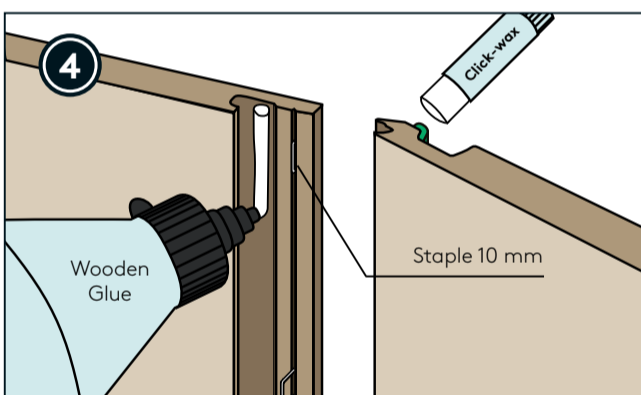
Clean cut first panel. Fasten to the back wall with screws or staples.



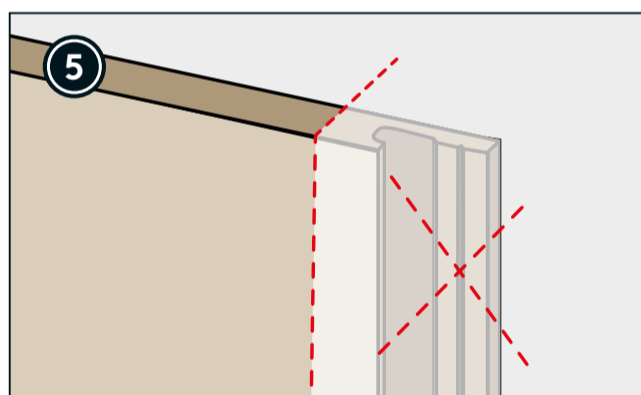
Make sure you fit the first panel plum. Fasten with screws or staples. Between floor/wall and floor/ceiling leave a 5 mm expansion gap.



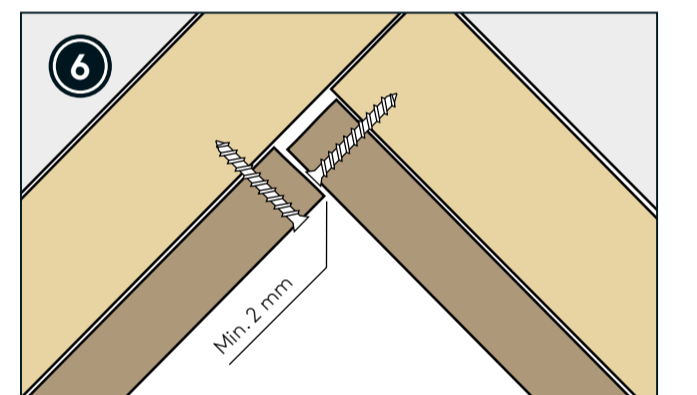
It is recommended to use staples in the click lock to prevent cracking of the wood fibers.



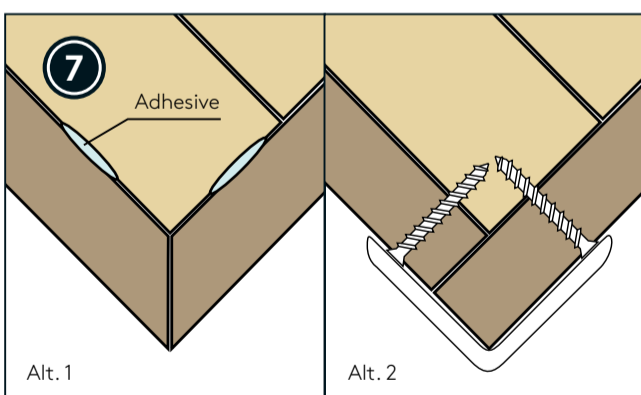
Use wooden glue and Click-wax as shown. Use a gentle rocking movement to prevent damage when connecting the panels. Remove any glue residues from the surface with a damp cloth.



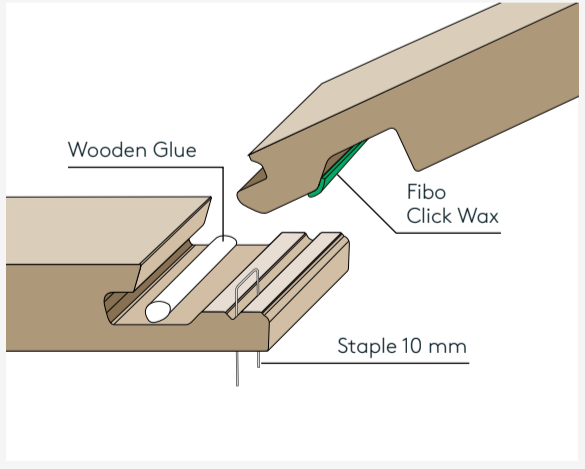
Measure and cut last panel before corner.



Fasten last panel against corner with screws or staples. The screw/staple will be hidden with putty or acrylic sealant.



Alt. 1: Mitre the external corner 45°. Use adhesive where the panels meet and fasten with screws in top and bottom of the panel. It is important to brace until the adhesive has dried.
Alt. 2: Clean cut the panel edge facing the corner, and fasten with screws. Cover the corner with preferred external profile.



ESSENTIAL FOR THE OPTIMAL RESULT

To reduce the risk of gaps in the joints due to low humidity and movement, wooden glue should be used in the click-lock as instructed.

Apply Click-Wax behind the click-lock as instructed to ease the installation when clicking the panels together.

FOR USE IN DRY ROOMS ONLY



WALLS BUILT FOR LIFE

info@fibosystem.com