

Everything You Need to Install Fibo Wall Panels

WALL PANELS IN A WET ROOM

Estimate that 1 pack (2 panels per pack) cover 1.2 meters of wall.

ACCESSORIES	AMOUNT
Fibo Seal- Sealant	1 tube covers max 3 panel packs
Fibo Adhesive	1 tube covers max 3 panel packs
Fibo Profiles: <ul style="list-style-type: none"> • Base profiles • Internal corner profiles • External corner profiles • L-Shape profiles • J-Shape profiles 	<ul style="list-style-type: none"> • 1 (2400mm) base profile covers 4 panels • 1 (2400mm) internal corner profile • 1 (2400mm) external corner profile • Depending on design and potential finishing in the room • Depending on design and potential finishing in the room
Fibo Wipes (35 wipes per pack)	1 tub is sufficient for approximately 8 packs
Fibo Sealing Tool (2x tools per pack)	1 pack
Fibo Tapping Tool	1 piece is needed for a room with 2-part internal corner profiles
Fibo Grip	1 piece
Fibo Clean	1 can is sufficient for approximately 8 panel packs
Fibo Click Wax	1 piece is sufficient for approximately 8 panel packs

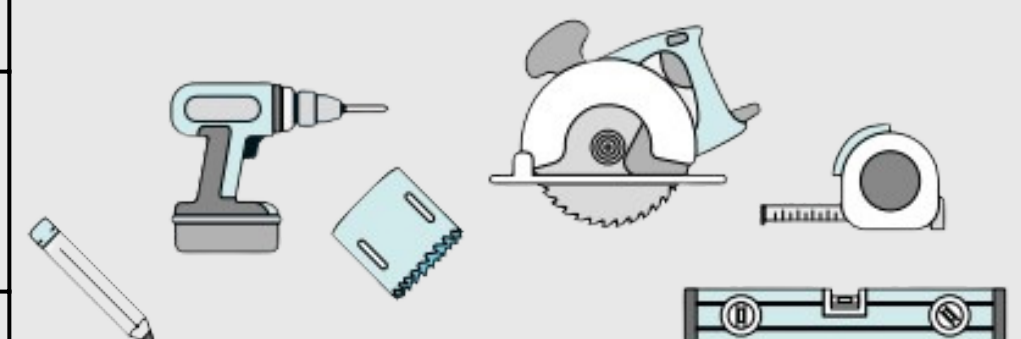
KITCHEN SPLASHBACK

Estimate that 1 pack (2 kitchen boards per pack) covers 1.2 meters of wall.

ACCESSORIES	AMOUNT
Fibo Seal- Sealant	1 tube covers max 5 kitchen board panels
Fibo Adhesive	1 tube covers max 5 kitchen board panels
Fibo Profiles: <ul style="list-style-type: none"> • Internal corner profiles • L-Shape profiles • J-Shape profiles 	<ul style="list-style-type: none"> • 1 (2400mm) internal corner profile • Depending on design and potential finishing in the room • Depending on design and potential finishing in the room
Fibo Wipes (35 wipes per pack)	1 tub is sufficient for approximately 12 kitchen board packs
Fibo Sealing Tools (2x tools per pack)	1 pack
Fibo Clean	1 can is sufficient for approximately 12 kitchen board packs
Fibo Click Wax	1 piece is sufficient for approximately 32 kitchen board packs

Tools Required for a Flawless Installation of Bathroom and Kitchen Boards:

- Screwdriver
- Fine-toothed saw or circular saw
- Ruler and pencil
- Drill, hole saw, countersink, and jigsaw for making holes in panels
- Spirit level
- Fibo Sealing Tool
- Fibo Clean Spray
- Fibo Wipes

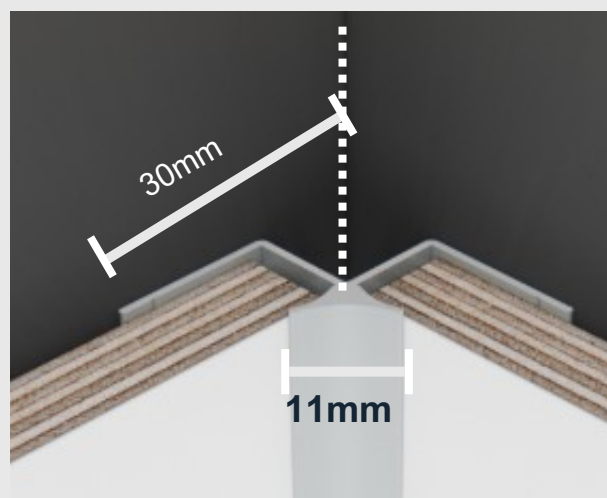


For profile and accessory product codes please visit our website or view our brochure.

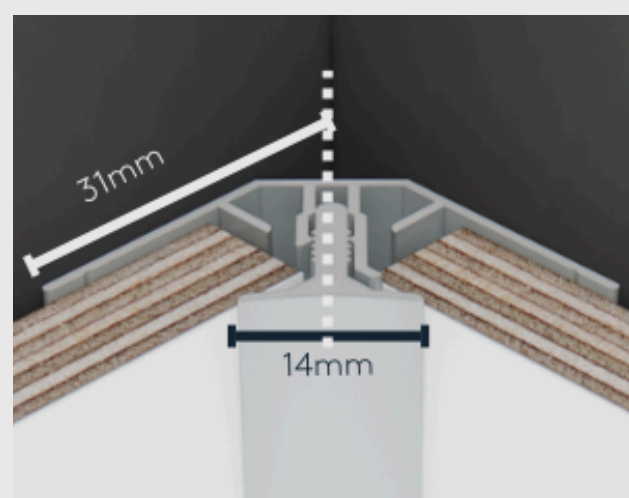
Our Range of Profiles

Key

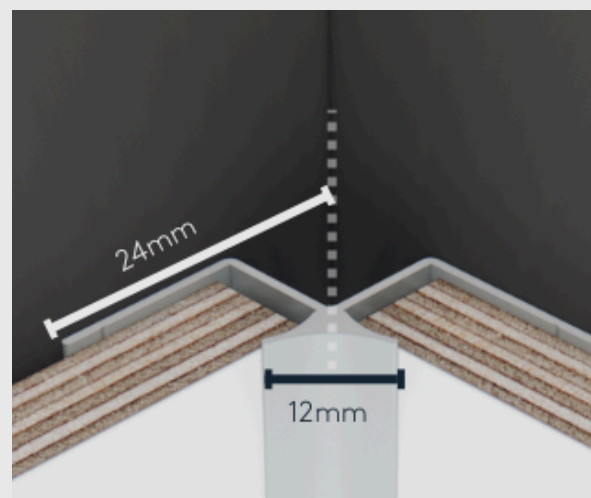
- White PVC
- Aluminium
- Polished Chrome
- Black



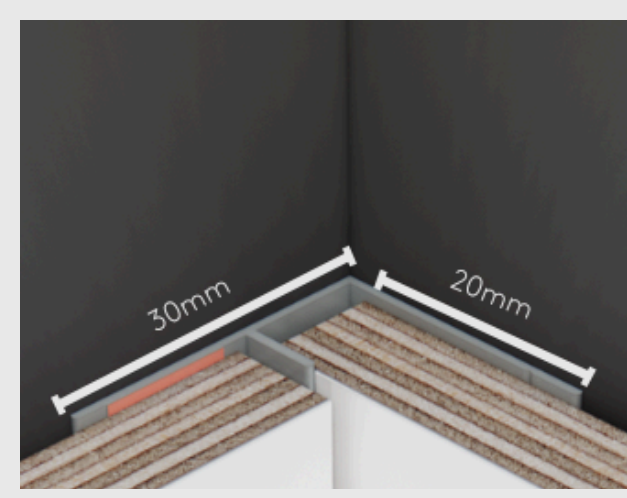
○ ○ ●
Internal Corner Profile



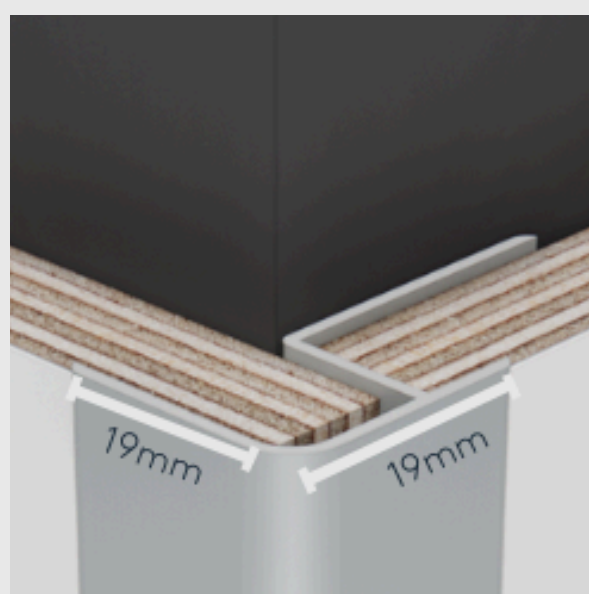
○ ●
2-Part Internal Corner Profile



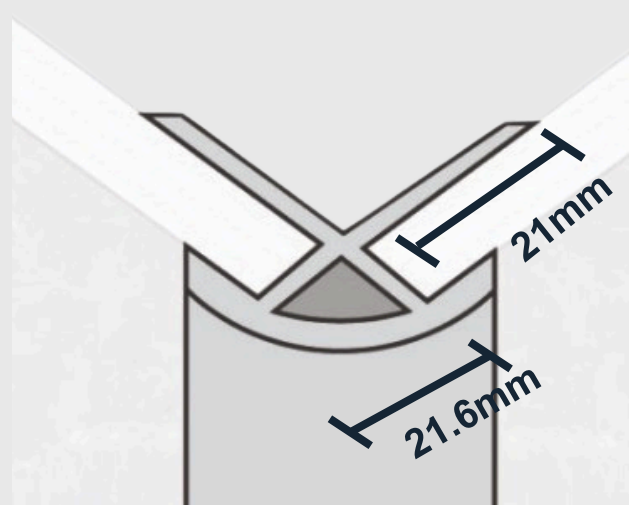
○
135 Degree Internal Corner Profile



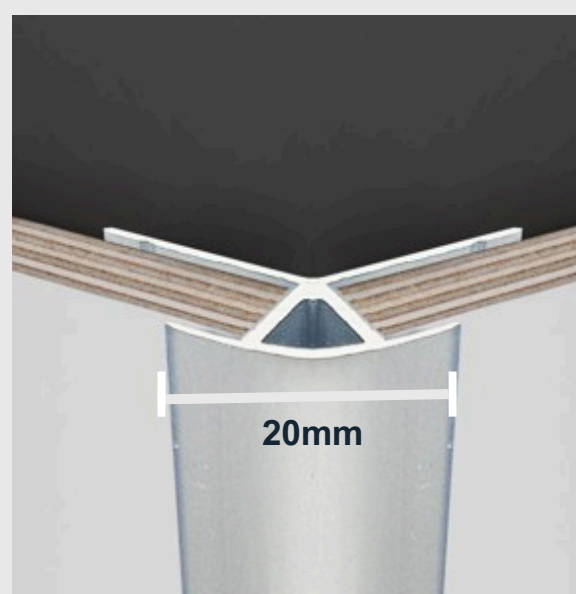
○
Hidden Internal Corner Profile



○ ●
External Corner Profile-Square Shape



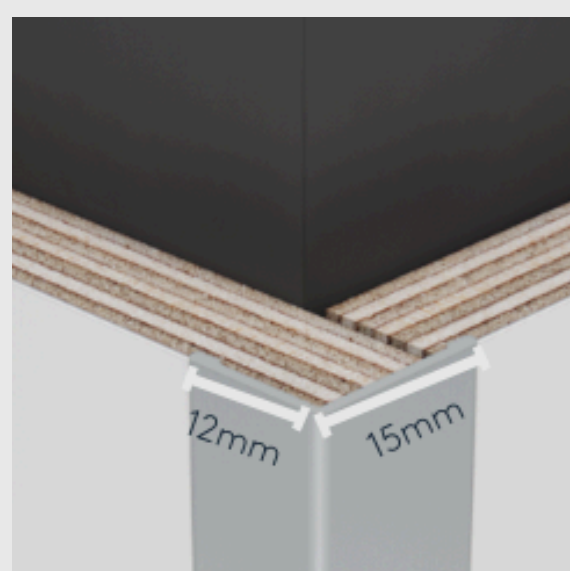
○ ○ ●
External Corner Profile Round Shape



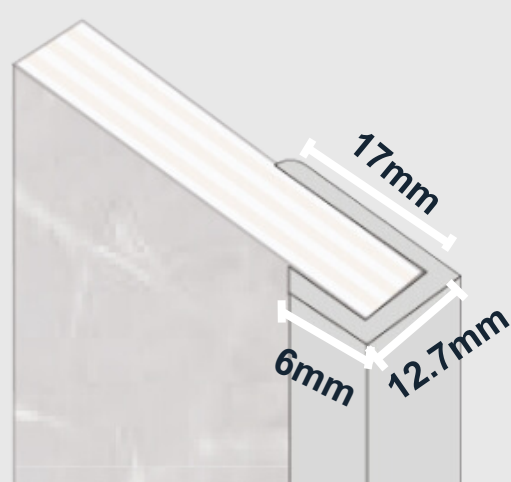
○
135 Degree External Corner Profile



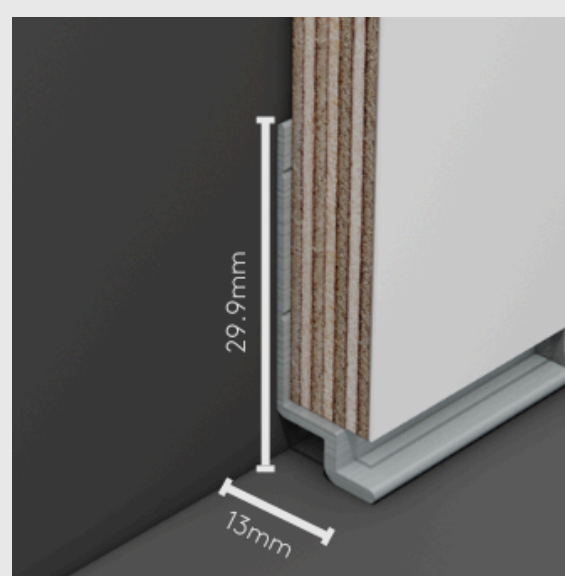
○ ○ ●
L-Shape Profile



○ ●
Small L-Shape Profile



○ ●
J-Shape Profile



○ ●
Base Profile

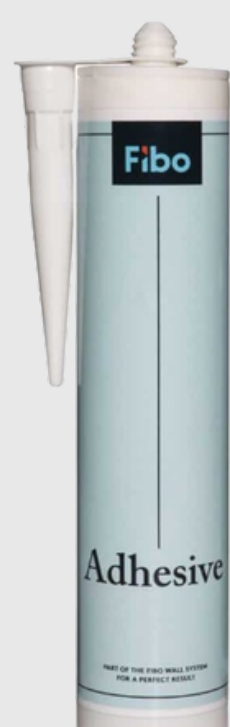


○ ○ ● ●
Stacking Profile
Please see brochure for more details.

Our Range of Accessories



Fibo Seal
Available in White, Grey and Black.



Fibo Adhesive



Fibo Wipes



Fibo Sealing Tool



Fibo Tapping Tool



Fibo Grip



Fibo Clean



Fibo Click-wax

We highly recommend using our Fibo Magic Sponge to clean the panels and effectively remove stains, especially on Extra or Extreme Matt decor surfaces.

